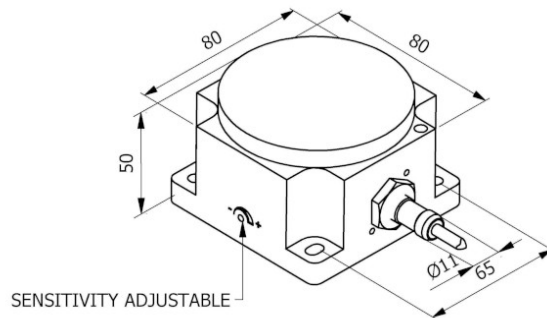


Part number: **SIP000345** Model: **SIQ80-NE50 LC10**



Dimension in mm

## 1. TECHNICAL CHARACTERISTICS



### Electrical data

Power supply type:		Direct current
Working voltage:	[V]	5 ÷ 30
Current consumption:	[mA]	On <= 1 mA - Off >= 3 mA @ 8.2V
Protection class:		III
Reverse polarity protection:		Presente

### Outputs

Electrical design:		Namur
Max switching frequency:	[Hz]	100

### Detection zone

Switching distance-Sn:	[mm]	10 ÷ 60 (adjustable)
------------------------	------	----------------------

### Accuracy and Deviations

Correction factor:		Stainless steel: 0.9 - Brass: 0.5 - Aluminium: 0.4 - Copper: 0.4
Repeatability:	[%Sn]	< 3

### Environmental conditions

Temperature limits:	[°C]	-25/+70
IP rating:		IP65-IP66-IP67

### Mechanical data

Housing:		Parallelepiped
Dimensions:	[mm]	80 x 80 x 50
Materials:		Housing: PC red - Sensing area: PC red
Mounting:		Not embeddable
Weight:	[g]	700

### Electrical connection

Cable:		10 m - PVC/PVC - 2 x 0.50 mm <sup>2</sup>
--------	--	---

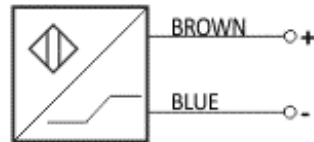
### Compliance to Standards / Directives

Directives compliance:		2014/30/EU - Electromagnetic compatibility directive (EMC)
Standards compliance:		EN60947-5-6 - Product standard

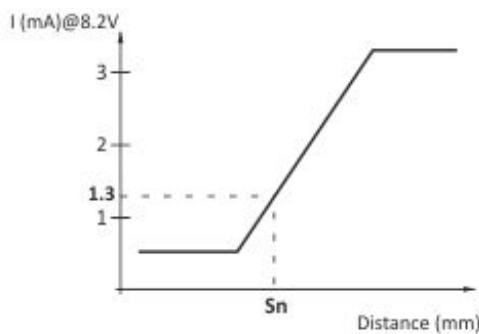
**2. NORME DI INSTALLAZIONE**

**WIRING DIAGRAM**

**2 WIRES CABLE**



**Titolo img 2**



The NAMUR inductive sensors are electronic devices whose absorbed current varies in the presence of a metallic target.

