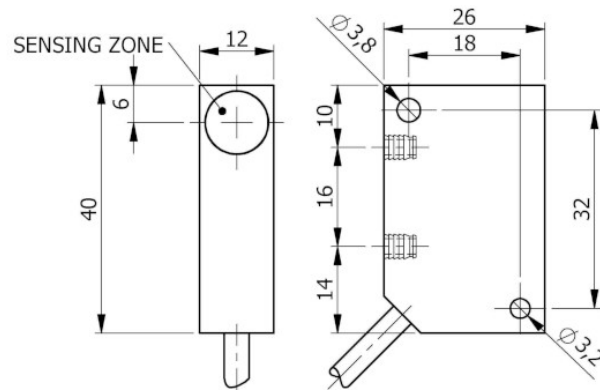


Part number: **SIP000357** Model: **SIP12-AE4 NO LC5**



Dimension in mm

1. TECHNICAL CHARACTERISTICS



Electrical data

Power supply type:		Alternating current
Working voltage:	[V]	20 ÷ 250
Protection class:		III

Outputs

Function:		NO
Max voltage drop:	[V]	< 6
Max output current:	[mA]	300
Minimum output current:	[mA]	5
Max peak current:	[A]	1.5
Residual current:	[mA]	< 1
Max switching frequency:	[Hz]	12

Detection zone

Switching distance-Sn:	[mm]	4
Real sensing distance-Sr:	[mm]	4 ±10%
Operative distance-So:	[mm]	0 ÷ 3.24

Accuracy and Deviations

Correction factor:		Stainless steel: 0.9 - Brass: 0.5 - Aluminium: 0.4 - Copper: 0.4
Hysteresis:	[%Sr]	< 10
Switching point drift:	[%Sr]	-1
Repeatability:	[%Sn]	< 3

Environmental conditions

Temperature limits:	[°C]	-25/+70
IP rating:		IP65-IP66-IP67

Display and control elements

Display:		Output switching status - 1 x LED: Yellow
----------	--	---

Mechanical data

Housing:		Parallelepiped
Dimensions:	[mm]	12 x 40 x 26
Materials:		Housing: PVC black - Sensing area: PC blue
Mounting:		Not embeddable
Weight:	[g]	150

Electrical connection

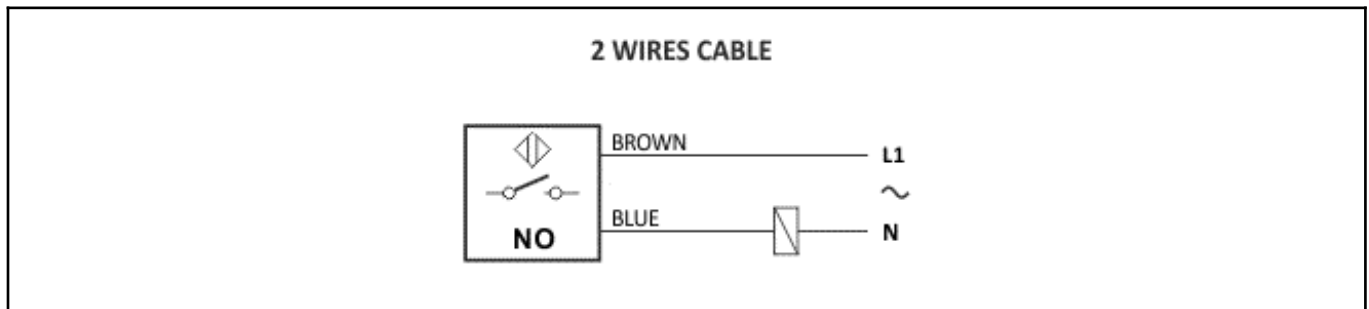
Cable:		5 m - PVC/PVC - 2 x 0.25 mm ²
--------	--	--

Compliance to Standards / Directives

Directives compliance:		2014/30/EU -Electromagnetic compatibility directive (EMC) 2014/35/UE -Low voltage directive (LVD)
Standards compliance:		EN60947-5-2 - Product standard

2. NORME DI INSTALLAZIONE

WIRING DIAGRAM



INSTRUCTIONS FOR CORRECT INSTALLATION

