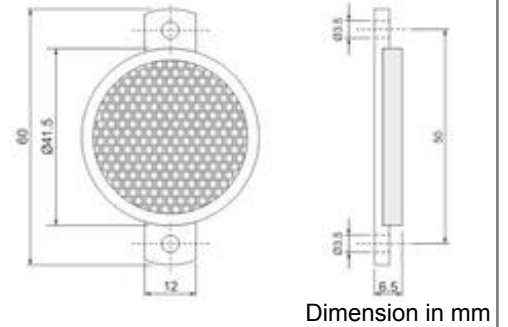


**Part number: RFL000004 - Model: CT 42****TECHNICAL CHARACTERISTICS**

Reflective surface shape:	Circular
Reflective area:	1164 mm ²
Observation at 0.2°:	5863 mcd/lx
Reflectivity:	5
Temperature limits:	-20 ÷ + 60 °C
Color:	White
Material:	Reflective side PMMA - Back side ABS
Fixing characteristics:	2 M3 screws
Weighth:	7.3 g



MORE THAN SENSORS



Part number: RFL000004 - Model: CT 42