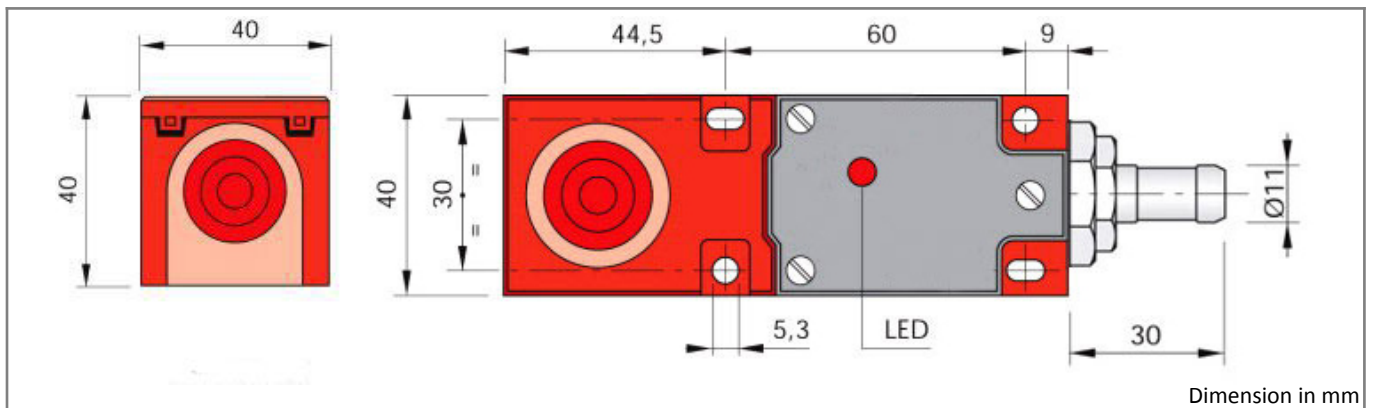


Part number: **SIP000452** Model: **SIP40-BE20 NO/NC LC2**



1. TECHNICAL CHARACTERISTICS

Electrical data	
Power supply type:	Direct current
Working voltage: [V]	10 ÷ 55
Protection class:	III
Reverse polarity protection:	Presente
Outputs	
Function:	NO/NC selectable with polarity change
Max voltage drop: [V]	< 6.5
Max output current: [mA]	?100
Minimum output current: [mA]	?1.5
Residual current: [mA]	< 0.6
Max switching frequency: [Hz]	300
Short circuit protection:	Present
Overload protection:	Present
Detection zone	
Switching distance-Sn: [mm]	20
Real sensing distance-Sr: [mm]	20 ±10%
Operative distance-So: [mm]	0 ÷ 16.20
Accuracy and Deviations	
Correction factor:	Stainless steel: 0.9 - Brass: 0.5 - Aluminium: 0.4 - Copper: 0.4
Hysteresis: [%Sr]	< 10
Switching point drift: [%Sr]	-1
Repeatability: [%Sn]	< 3
Environmental conditions	
Temperature limits: [°C]	-25/+70
IP rating:	IP65-IP66-IP67
Display and control elements	
Display:	Output switching status - 1 x LED: Yellow

Mechanical data

Housing:		Parallelepiped
Dimensions:	[mm]	40 x 40 x 114
Materials:		Housing: Red Polycarbonate
Mounting:		Not embeddable
Weight:	[g]	280

Electrical connection

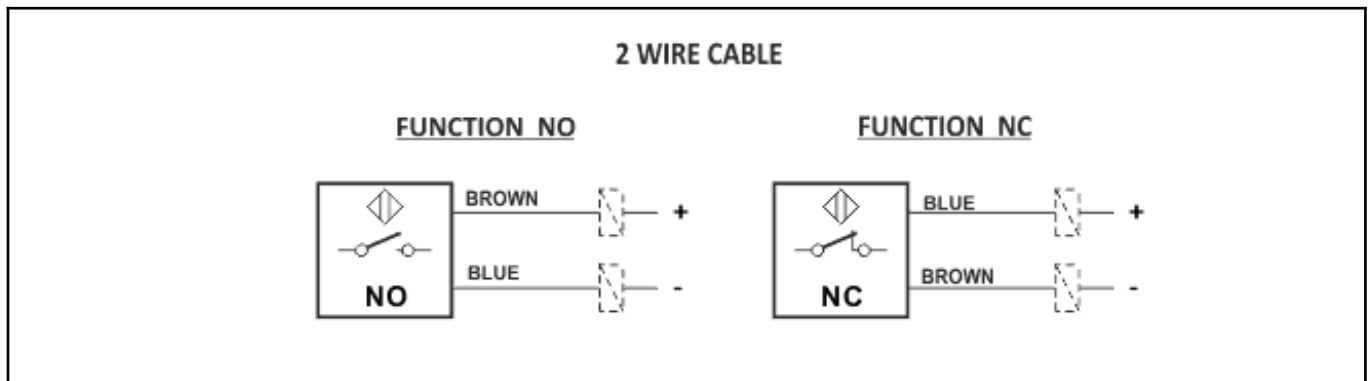
Cable:		2 m - PVC/PVC - 2 x 0.50 mm ²
--------	--	--

Compliance to Standards / Directives

Directives compliance:		2014/30/EU -Electromagnetic compatibility directive (EMC)
Standards compliance:		EN60947-5-2 - Product standard

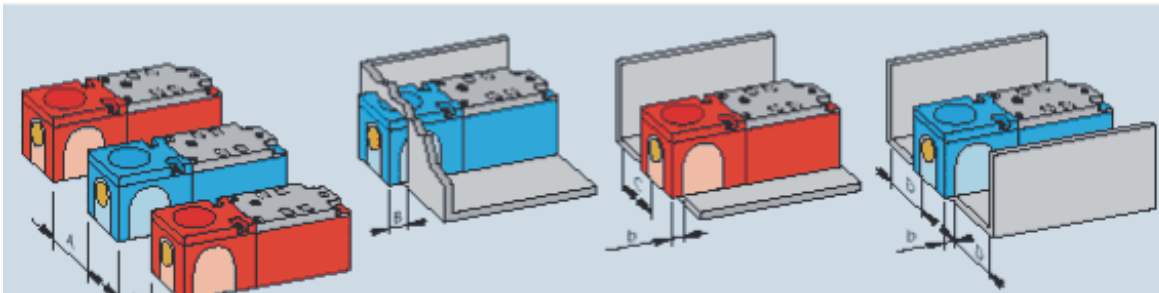
2. NORME DI INSTALLAZIONE

WIRING DIAGRAM



INSTRUCTIONS FOR CORRECT INSTALLATION

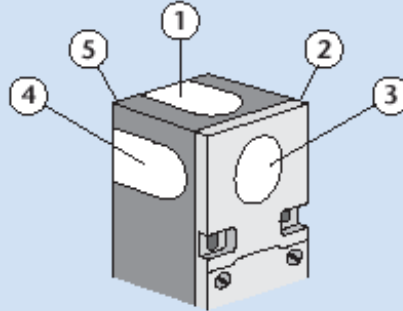
INSTRUCTIONS FOR CORRECT INSTALLATION



• The installation example makes reference to the areas marked yellow

Dimensions mm	AB	b	C	D	
SIP 40 ▲	≥30	≥6	≥0	≥0	≥0
SIP 40 ●	≥50	≥40	≥15	≥10	≥15

Titolo img 1

ADJUSTABLE SENSITIVITY SIP 40

NOTE: In the SIP 40 sensor the oscillator is contained in a module which clips into the body whose surface can then be sensitive on five different positions. The surface chosen can be identified by applying the circular adhesive label.