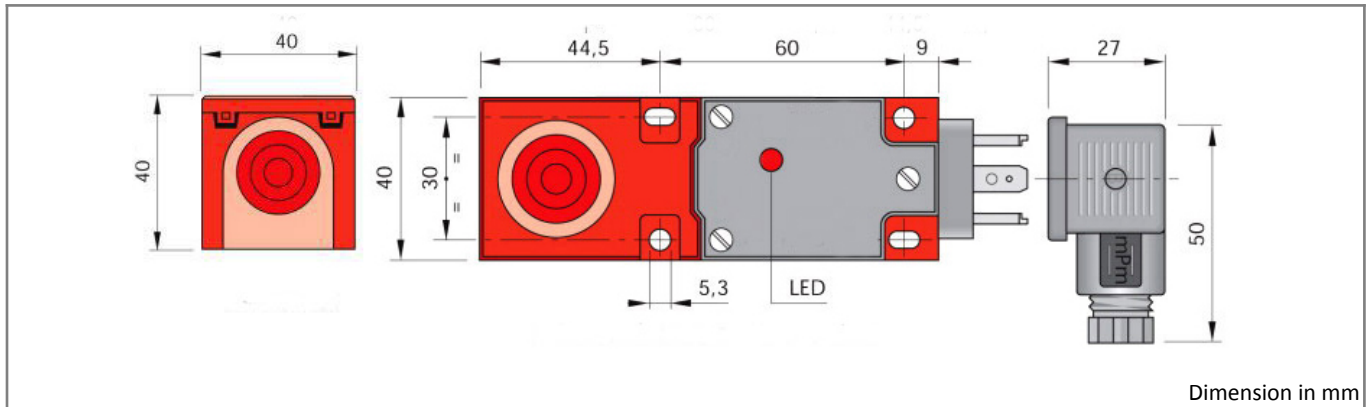


Part number: **SIP000455** Model: **SIP40-BE20 NO/NC K**



1. TECHNICAL CHARACTERISTICS



Electrical data

Power supply type:		Direct current
Working voltage:	[V]	10 ÷ 55
Protection class:		III
Reverse polarity protection:		Presente

Outputs

Function:		NO/NC selectable with polarity change
Max voltage drop:	[V]	< 6.5
Max output current:	[mA]	?100
Minimum output current:	[mA]	?1.5
Residual current:	[mA]	< 0.6
Max switching frequency:	[Hz]	300
Short circuit protection:		Present
Overload protection:		Present

Detection zone

Switching distance-Sn:	[mm]	20
Real sensing distance-Sr:	[mm]	20 ±10%
Operative distance-So:	[mm]	0 ÷ 16.20

Accuracy and Deviations

Correction factor:		Stainless steel: 0.9 - Brass: 0.5 - Aluminium: 0.4 - Copper: 0.4
Hysteresis:	[%Sr]	< 10
Switching point drift:	[%Sr]	-1
Repeatability:	[%Sn]	< 3

Environmental conditions

Temperature limits:	[°C]	-25/+70
IP rating:		IP65

Display and control elements

Display:		Output switching status - 1 x LED: Yellow
----------	--	---

Mechanical data

Housing:		Parallelepiped
Dimensions:	[mm]	40 x 40 x 114
Materials:		Housing: Red Polycarbonate
Mounting:		Not embeddable
Weight:	[g]	220

Electrical connection

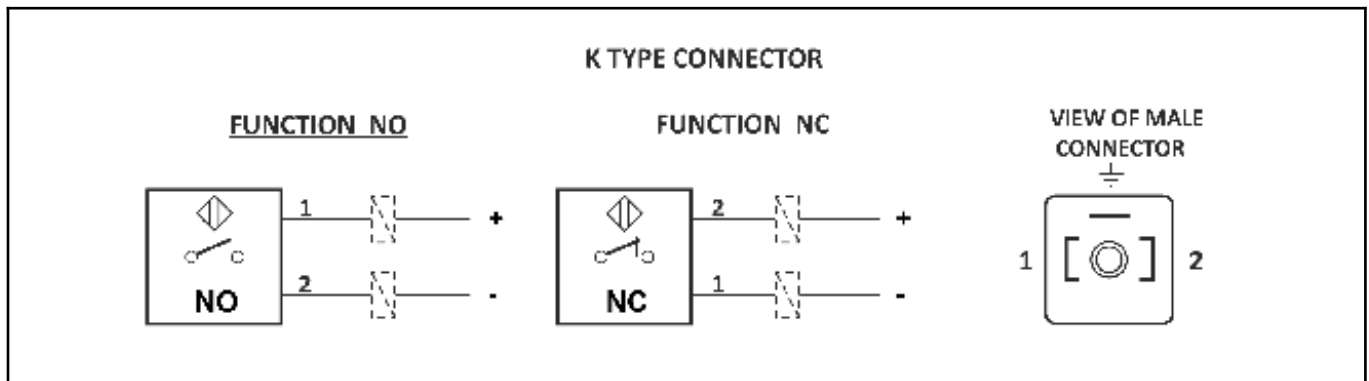
Connector:		K Type - 3 poles - EN 17301-803
------------	--	---------------------------------

Compliance to Standards / Directives

Directives compliance:		2014/30/EU -Electromagnetic compatibility directive (EMC)
Standards compliance:		EN60947-5-2 - Product standard

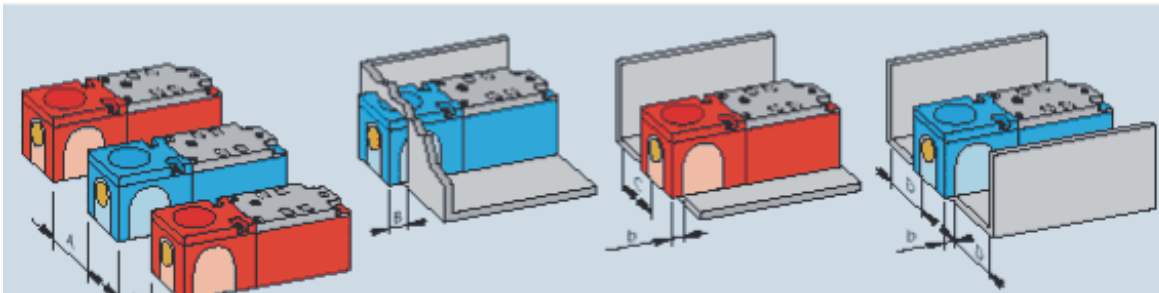
2. NORME DI INSTALLAZIONE

WIRING DIAGRAM



INSTRUCTIONS FOR CORRECT INSTALLATION

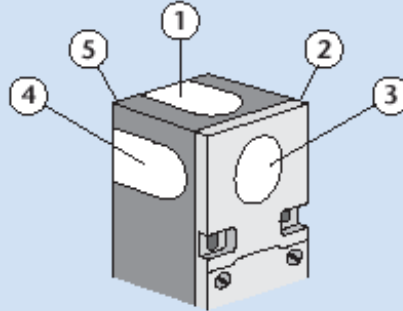
INSTRUCTIONS FOR CORRECT INSTALLATION



Dimensions mm	AB	b	C	D	
SIP 40 ▲	≥30	≥6	≥0	≥0	≥0
SIP 40 ●	≥50	≥40	≥15	≥10	≥15

• The installation example makes reference to the areas marked yellow

Titolo img 1

ADJUSTABLE SENSITIVITY SIP 40

NOTE: In the SIP 40 sensor the oscillator is contained in a module which clips into the body whose surface can then be sensitive on five different positions. The surface chosen can be identified by applying the circular adhesive label.