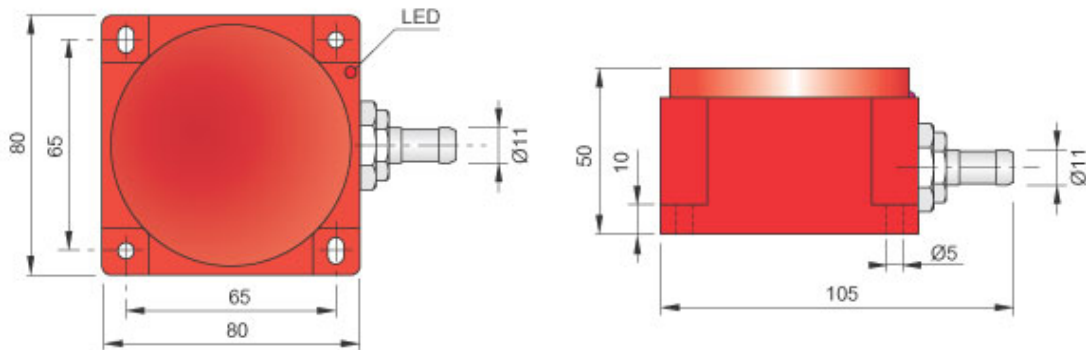


Part number: **SIP000458** Model: **SIQ80-BE50 NO/NC LC5**



Dimension in mm

## 1. TECHNICAL CHARACTERISTICS



### Electrical data

Power supply type:		Direct current
Working voltage:	[V]	10 ÷ 55
Protection class:		III
Reverse polarity protection:		Presente

### Outputs

Function:		NO/NC selectable with polarity change
Max voltage drop:	[V]	< 6.5
Max output current:	[mA]	?100
Minimum output current:	[mA]	?1.5
Residual current:	[mA]	< 0.6
Max switching frequency:	[Hz]	50
Short circuit protection:		Present
Overload protection:		Present

### Detection zone

Switching distance-Sn:	[mm]	10 ÷ 60 (adjustable)
------------------------	------	----------------------

### Accuracy and Deviations

Correction factor:		Stainless steel: 0.9 - Brass: 0.5 - Aluminium: 0.4 - Copper: 0.4
Hysteresis:	[%Sr]	< 10 with Sn=50mm
Repeatability:	[%Sn]	< 3

### Environmental conditions

Temperature limits:	[°C]	-25/+70
IP rating:		IP65-IP66-IP67

### Display and control elements

Display:		Output switching status - 1 x LED: Yellow
----------	--	---

#### Mechanical data

Housing:		Parallelepiped
Dimensions:	[mm]	80 x 80 x 50
Materials:		Housing: Red Polycarbonate
Mounting:		Not embeddable
Weight:	[g]	460

#### Electrical connection

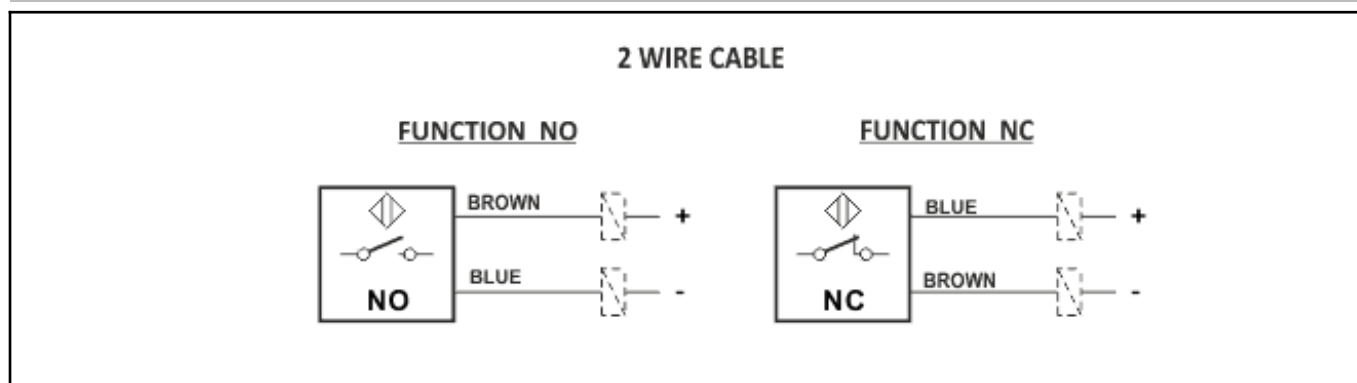
Cable:		5 m - PVC/PVC - 2 x 0.50 mm <sup>2</sup>
--------	--	--

#### Compliance to Standards / Directives

Directives compliance:		2014/30/EU -Electromagnetic compatibility directive (EMC)
Standards compliance:		EN60947-5-2 - Product standard

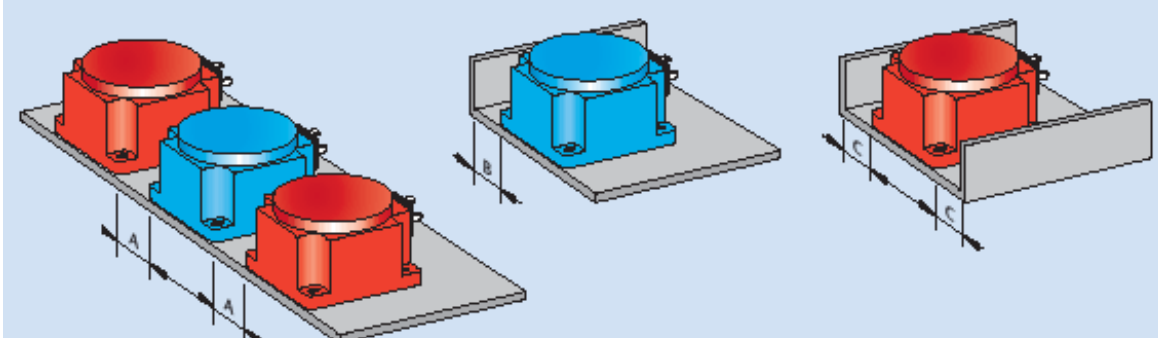
## 2. NORME DI INSTALLAZIONE

#### WIRING DIAGRAM



#### INSTRUCTIONS FOR CORRECT INSTALLATION

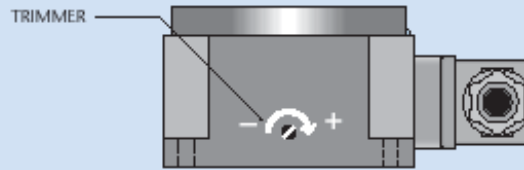
**INSTRUCTIONS FOR CORRECT INSTALLATION**



Dimensions mm	A	B	C
SIQ 80	≥450	≥45	≥70

N.B.: A-B-C ratings are referred to S<sub>n</sub> = 35 mm.  
To adjust less or more sensitivity they either must be decreased or increased.

Titolo img 1

**SENSITIVITY ADJUSTMENT**

This sensor is supplied with a trimmer for the sensitivity adjustment. The sensitivity increases when the trimmer is rotated in the clockwise direction and decreases in the anti-clockwise direction. Avoid using for a capacity greater than 60 mm referred to a square piece of (FE 37) steel of 1 mm thickness the side of which is equal to 100 mm. When setting the sensor keep in consideration all other metallic objects nearby, in fact setting is suggested to be made when the sensor is installed in the normal working conditions. The sensor is supplied already pre-set to 50 mm sensitivity.