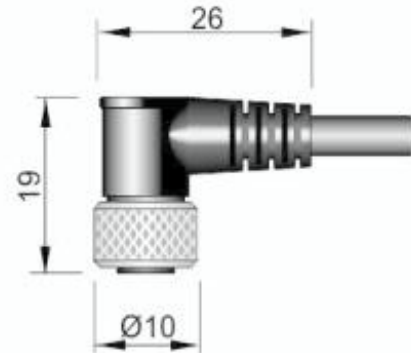


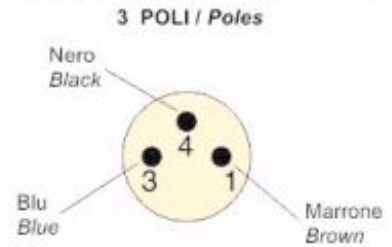


Part number: COC000029 - Model: MOD.19 M8 LC5

Connettore femmina M8 - versione 90°
M8 female connector - 90° type



Configurazione e colori - vista lato frontale
Configuration and wires color - front view



Dimension in mm

TECHNICAL CHARACTERISTICS

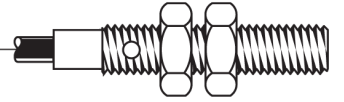
Connection type:	M8X1
Configuration:	FEMAL
Number of poles:	3
Cable length:	5mt
Cable jacket material:	PUR
Cable insulation material:	POLYESTER
Cable jacket colour:	BLACK
Cable jacket diameter:	4.10 +/-0.1
Cable insulation colour:	BROWN/BLACK/BLUE
Cable conductors material:	COPPER TINNED CLASS 6
Cable conductor section:	0.25 mmq
Nut fixing material:	NICKELLED BRASS
Plug material:	ABS V0 SELF EXTINGUISHING
Pole material:	PHOSPHOR BRONZE
Pole treatment:	GOLDEN
Rated current:	3A
Rated voltage:	60Vdc
IP rating:	IP67

Operating temperature:

-25° ÷ +90°C



MORE THAN SENSORS



Part number: COC000029 - Model: MOD.19 M8 LC5