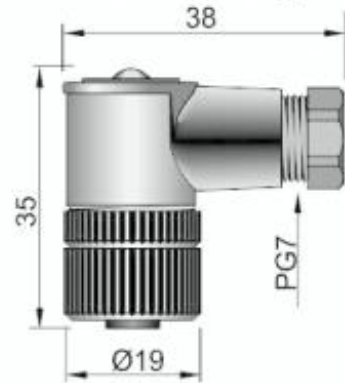
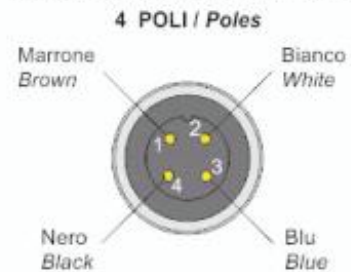


Part number: COC000001 - Model: MOD.9 M12 A CABLARE

Connettore femmina M12 - versione 90°
M12 female connector - 90° type



Configurazione e colori - vista lato frontale
Configuration and wires color - front view



Dimension in mm

TECHNICAL CHARACTERISTICS

| | |
|------------------------|----------------|
| Connection type: | M12X1 |
| Configuration: | FEMAL |
| Number of poles: | 4 |
| Cable gland: | PG7 |
| Nut fixing material: | PBT |
| Plug material: | PA |
| Pole material: | NECKELED BRASS |
| Pole treatment: | OPTALLOY |
| Rated current: | 4A |
| Rated voltage: | 250Vac/dc |
| IP rating: | IP67 |
| Operating temperature: | -40° ÷ +85°C |



MORE THAN SENSORS



Part number: COC000001 - Model: MOD.9 M12 A CABLARE

