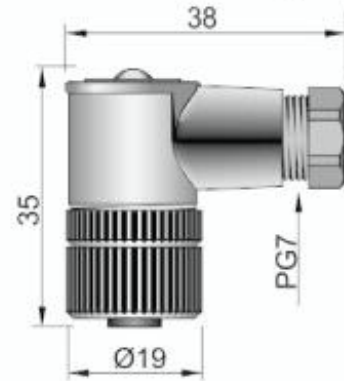


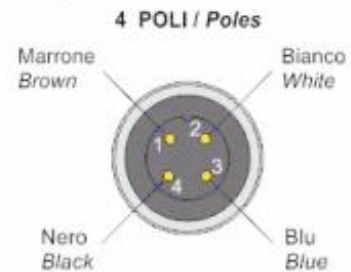


Part number: COC000003 - Model: MOD.9T M12 A CABLARE

Connettore femmina M12 - versione 90°
M12 female connector - 90° type



Configurazione e colori - vista lato frontale
Configuration and wires color - front view



Dimension in mm

TECHNICAL CHARACTERISTICS

Connection type:	M12X1
Configuration:	FEMAL
Number of poles:	4
Cable gland:	PG7
Nut fixing material:	PBT
Plug material:	PA
Pole material:	NECKELED BRASS
Pole treatment:	OPTALLOY
Rated current:	4A
Rated voltage:	250Vac/dc
IP rating:	IP67
Operating temperature:	-40° ÷ +85°C



MORE THAN SENSORS



Part number: COC000003 - Model: MOD.9T M12 A CABLARE

