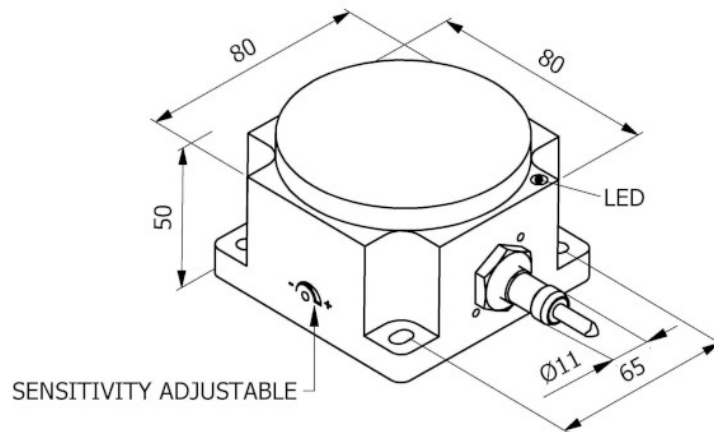


Part number: **SIP000112** Model: **SIQ80-CE50 NPN NO+NC**



Dimension in mm

1. TECHNICAL CHARACTERISTICS



Electrical data		
Power supply type:		Direct current
Working voltage:	[V]	10 ÷ 55
Current consumption:	[mA]	< 10 mA @ 24Vdc
Protection class:		III
Reverse polarity protection:		Presente
Outputs		
Electrical design:		NPN
Function:		NO+NC
Max voltage drop:	[V]	< 1.8
Max output current:	[mA]	200
Max switching frequency:	[Hz]	50
Short circuit protection:		Present
Overload protection:		Present
Detection zone		
Switching distance-Sn:	[mm]	10 ÷ 60 (adjustable)
Accuracy and Deviations		
Correction factor:		Stainless steel: 0.9 - Brass: 0.5 - Aluminium: 0.4 - Copper: 0.4
Hysteresis:	[%Sr]	< 10 with Sn=50mm
Repeatability:	[%Sn]	< 3
Environmental conditions		
Temperature limits:	[°C]	-25/+70
IP rating:		IP65-IP66-IP67
Display and control elements		
Display:		Output switching status - 1 x LED: Yellow

Mechanical data

Housing:		Parallelepiped
Dimensions:	[mm]	80 x 80 x 50
Materials:		Housing: PC red - Sensing area: PC red
Mounting:		Not embeddable
Weigth:	[g]	460

Electrical connection

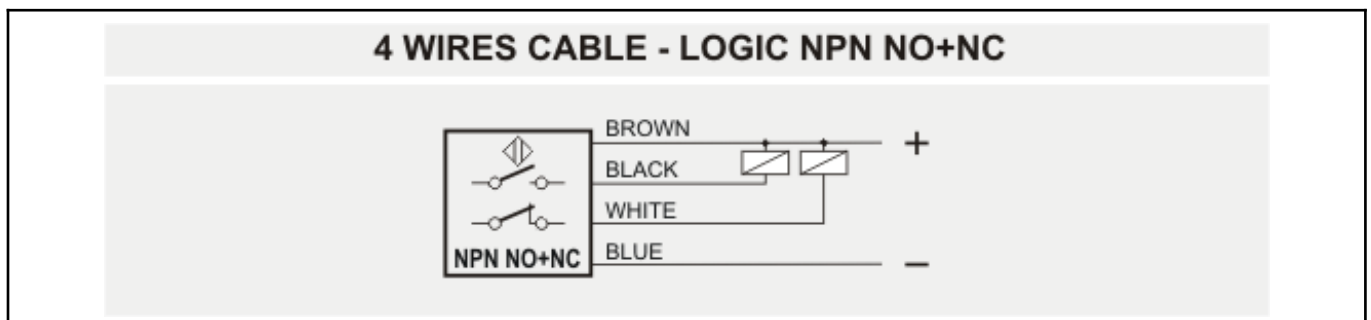
Cable:		2 m - PVC/PVC - 4 x 0.25 mm ²
--------	--	--

Compliance to Standards / Directives

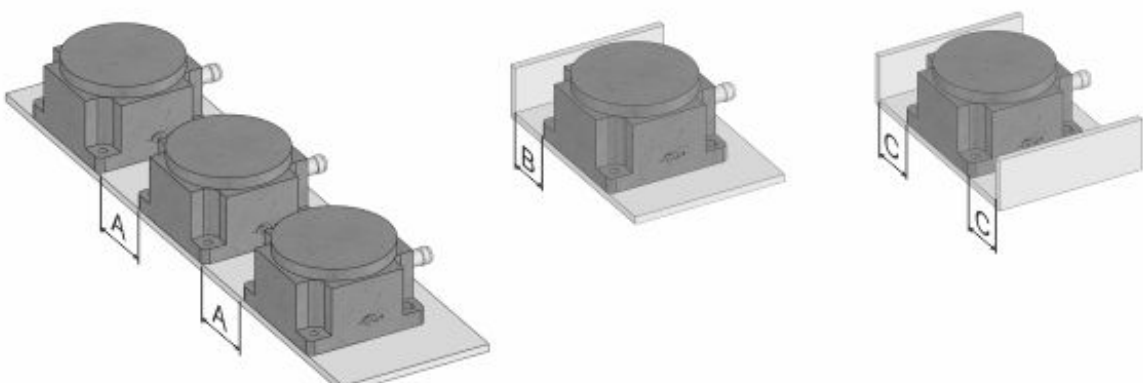
Directives compliance:		2014/30/EU -Electromagnetic compatibility directive (EMC)
Standards compliance:		EN60947-5-2 - Product standard

2. NORME DI INSTALLAZIONE

WIRING DIAGRAM



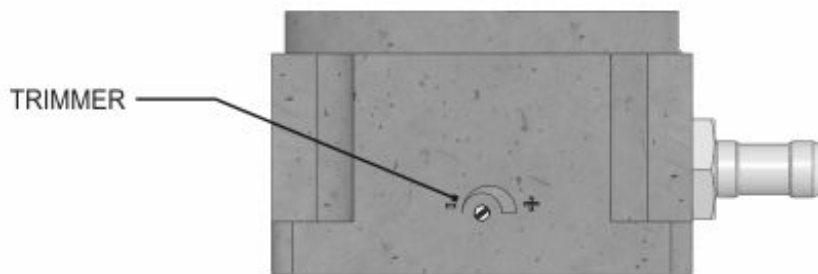
INSTRUCTIONS FOR CORRECT INSTALLATION



A	B	C
≥ 450 mm	≥ 50 mm	≥ 70 mm

NB.:Dimensions indicated are referred to Sn=35mm.
To adjust less or more sensivity they either must be decreased or increased

Titolo img 1



This sensor is equipped with a trimmer for sensitivity adjustment.
Turning the trimmer clockwise increases sensitivity and counterclockwise decreases it
Avoid exceeding the 60mm capacity referred to a square iron plate (Fe37) with a side of 100 mm and a minimum thickness of 1 mm.
When adjusting, also take into account the surrounding metal masses; in this regard, it is advisable that the calibration is carried out when the sensor is installed in the final operating position.
The sensor is supplied with a pre-set sensitivity of 50 mm.