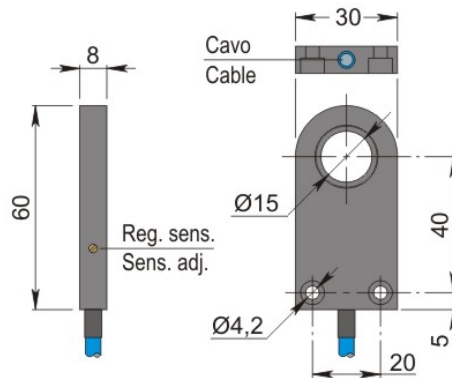


Part number: **SIA000219** Model: **SIA15-NE LC10**



Dimension in mm

1. TECHNICAL CHARACTERISTICS



Electrical data	
Power supply type:	Direct current
Working voltage: [V]	5 ÷ 30
Current consumption: [mA]	On <= 1 mA - Off >= 3 mA @ 8.2V
Protection class:	III
Reverse polarity protection:	Presente
Outputs	
Electrical design:	Namur
Max switching frequency: [Hz]	600 ÷ 1000
Detection zone	
Sensing hole diameter: [mm]	15
Minimum detectable object: [mm]	Ø 1.2x2 - Fe360
Accuracy and Deviations	
Correction factor:	Stainless steel: 0.9 - Brass: 0.5 - Aluminium: 0.4 - Copper: 0.4
Hysteresis: [%Sr]	Depends on the sensitivity
Switching point drift: [%Sr]	-1
Repeatability: [%Sn]	< 0.3
Environmental conditions	
Temperature limits: [°C]	-20 / +60 °C
IP rating:	IP65
Mechanical data	
Housing:	Ring
Dimensions: [Hz]	30 x 8 x 60
Materials:	Housing: PVC black - Sensing area: PVC black
Mounting:	Not embeddable
Weighth: [g]	260

Electrical connection

Cable: 10 m - PVC/PVC - 2 x 0.25 mm²

Compliance to Standards / Directives

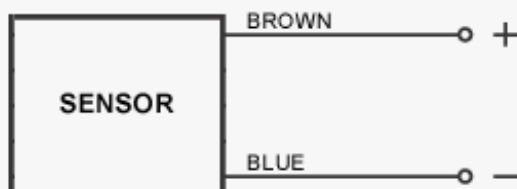
Directives compliance: 2014/30/EU - Electromagnetic compatibility directive (EMC)

Standards compliance: EN60947-5-6 - Product standard

2. NORME DI INSTALLAZIONE

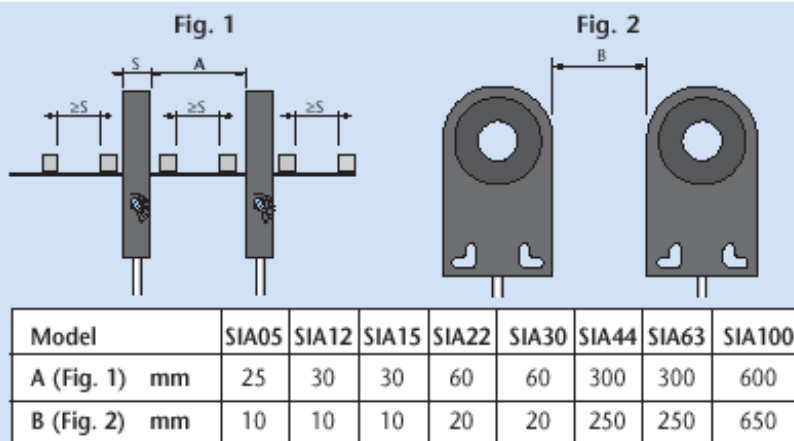
WIRING DIAGRAM

2 WIRES CABLE



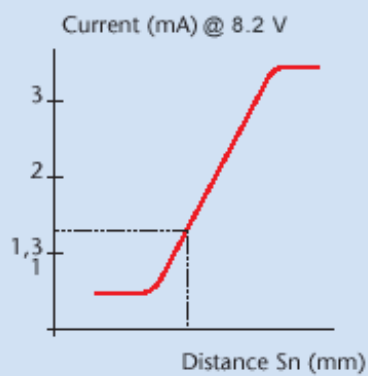
INSTRUCTIONS FOR CORRECT INSTALLATION

INSTRUCTIONS FOR CORRECT INSTALLATION

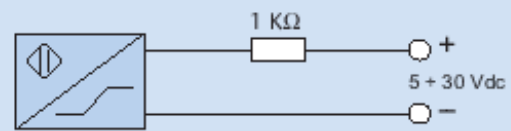


Titolo img 1

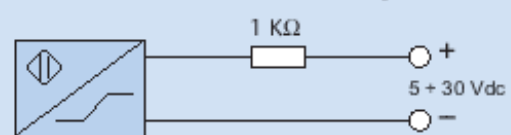
WORKING PRINCIPLE



In presence of metal $I \leq 1 \text{ mA @ } 8.2 \text{ V}$



In absence of metal $I \geq 3 \text{ mA @ } 8.2 \text{ V}$



The NAMUR sensors are electronic devices whose absorbed current varies in the presence of a metallic object. The difference between these sensors and traditional sensors is the absence of amplifier trigger stages.