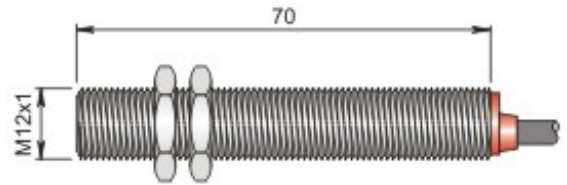


**Part number: SMC000241 - Model: SMC-12LM BS LC5**

Dimension in mm

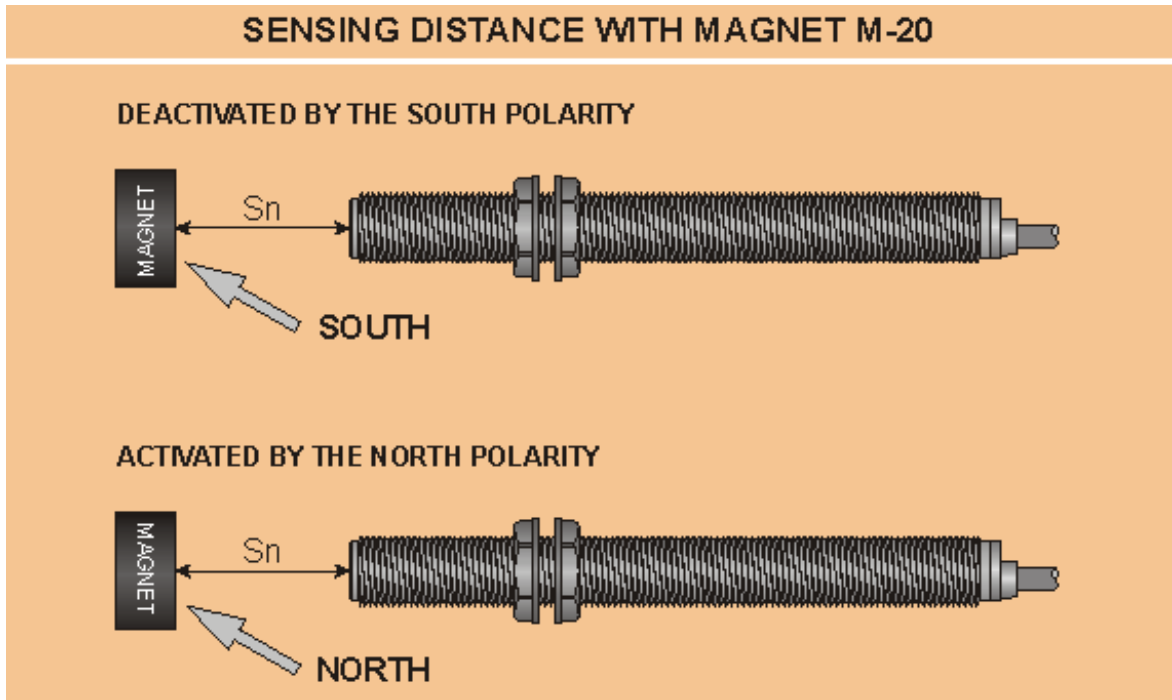
TECHNICAL CHARACTERISTICS

Max. switching voltage:	250 Vac/dc
Max switching current:	3 A
Max. switching power:	120 W/VA
Max. switching frequency:	100 Hz
Contact type:	Bistable reed
Contact actuation time:	3.5 mSec
Repeatability (%Sn):	± 0.5
Temperature limits:	-25 ÷ +80 °C
IP rating:	IP 67
Connection type:	Cable 5 m
Housing material:	Nickelled brass
Mechanical characteristics:	M12x1
Cable type:	2x0.50 PVC
Weight:	200 g

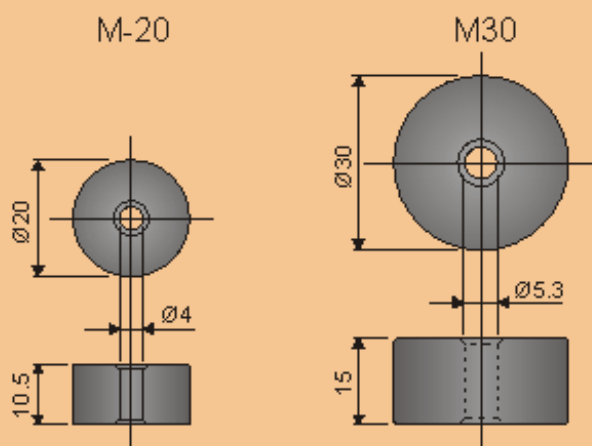


Part number: SMC000241 - Model: SMC-12LM BS LC5

INSTRUCTIONS FOR CORRECT INSTALLATION



MAGNET - DIMENSIONS mm



BROWN

BLUE