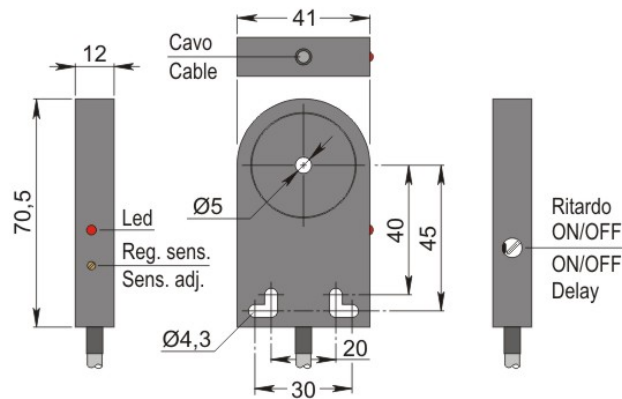


Part number: **SIA000268** Model: **SIA05-CE NPN NO+NC R LC10**



Dimension in mm

1. TECHNICAL CHARACTERISTICS



Electrical data

| | | |
|------------------------------|------|-----------------|
| Power supply type: | | Direct current |
| Working voltage: | [V] | 10 ÷ 30 |
| Current consumption: | [mA] | < 15 mA @ 24Vdc |
| Protection class: | | III |
| Reverse polarity protection: | | Presente |

Outputs

| | | |
|---------------------------|------|-----------------------------------|
| Electrical design: | | NPN |
| Function: | | NO+NC |
| Delay ON de-energization: | [ms] | 100 (when inserted) |
| Max voltage drop: | [V] | < 1.8 |
| Max output current: | [mA] | 200 |
| Max switching frequency: | [Hz] | See instructions for installation |
| Short circuit protection: | | Present |
| Overload protection: | | Present |

Detection zone

| | | |
|----------------------------|------|-----------------|
| Sensing hole diameter: | [mm] | 5 |
| Minimum detectable object: | [mm] | Ø 0.7x1 - Fe360 |

Accuracy and Deviations

| | | |
|------------------------|-------|--|
| Correction factor: | | Stainless steel: 0.9 - Brass: 0.5 - Aluminium: 0.4 - Copper: 0.4 |
| Hysteresis: | [%Sr] | Depends on the sensitivity |
| Switching point drift: | [%Sr] | -1 |
| Repeatability: | [%Sn] | < 0.3 |

Environmental conditions

| | | |
|---------------------|------|--------------|
| Temperature limits: | [°C] | -20 / +60 °C |
| IP rating: | | IP65 |

Display and control elements

| | | |
|----------|--|---|
| Display: | | Output switching status - 1 x LED: Yellow |
|----------|--|---|

Mechanical data

| | | |
|-------------|------|---|
| Housing: | | Ring |
| Dimensions: | [Hz] | 41 x 12 x 70.5 |
| Materials: | | Housing: PC black - Sensing area: PVC black |
| Mounting: | | Not embeddable |
| Weight: | [g] | 330 |

Electrical connection

| | | |
|--------|--|---|
| Cable: | | 10 m - PVC/PVC - 4 x 0.25 mm ² |
|--------|--|---|

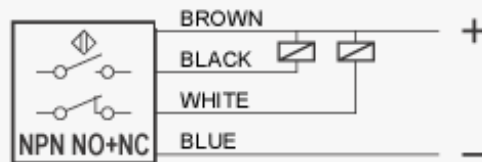
Compliance to Standards / Directives

| | | |
|------------------------|--|---|
| Directives compliance: | | 2014/30/EU -Electromagnetic compatibility directive (EMC) |
| Standards compliance: | | EN60947-5-2 - Product standard |

2. NORME DI INSTALLAZIONE

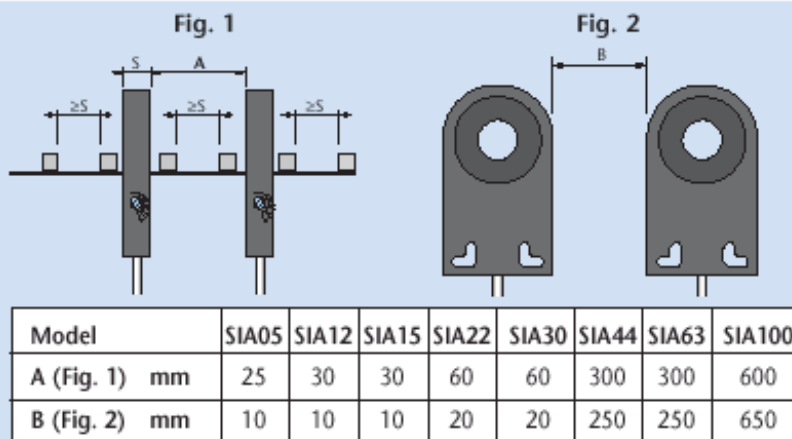
WIRING DIAGRAM

4 WIRES CABLE - LOGIC NPN NO+NC



INSTRUCTIONS FOR CORRECT INSTALLATION

INSTRUCTIONS FOR CORRECT INSTALLATION



Titolo img 1

MIN. DIMENSIONS OF THE OBJECT TO DETECT (Fe37)

| | | |
|----------|----|-------|
| Model | | SIA05 |
| Lenght | mm | 1 |
| Diameter | mm | 0.7 |

SWITCHING FREQUENCY

The switching frequency of inductive ring sensors depends on delayed impulse time (**when inserted**) according to the formula :

$$\text{Switching frequency (Hz)} = \frac{1}{(T \text{ impulse} + 10) \text{ mS}}$$

Vice versa, the switching frequency will be between 600+1500 Hz.