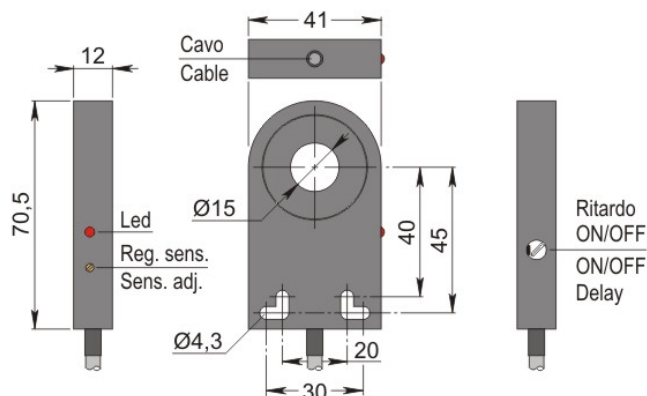


Part number: **SIA000275** Model: **SIA15-CE NPN NO+NC R LC10**



Dimension in mm

### 1. TECHNICAL CHARACTERISTICS



#### Electrical data

Power supply type:		Direct current
Working voltage:	[V]	10 ÷ 30
Current consumption:	[mA]	< 15 mA @ 24Vdc
Protection class:		III
Reverse polarity protection:		Presente

#### Outputs

Electrical design:		NPN
Function:		NO+NC
Delay ON de-energization:	[ms]	100 (when inserted)
Max voltage drop:	[V]	< 1.8
Max output current:	[mA]	200
Max switching frequency:	[Hz]	See instructions for installation
Short circuit protection:		Present
Overload protection:		Present

#### Detection zone

Sensing hole diameter:	[mm]	15
Minimum detectable object:	[mm]	Ø 1.2x2 - Fe360

#### Accuracy and Deviations

Correction factor:		Stainless steel: 0.9 - Brass: 0.5 - Aluminium: 0.4 - Copper: 0.4
Hysteresis:	[%Sr]	Depends on the sensitivity
Switching point drift:	[%Sr]	-1
Repeatability:	[%Sn]	< 0.3

#### Environmental conditions

Temperature limits:	[°C]	-20 / +60 °C
IP rating:		IP65

#### Display and control elements

Display:		Output switching status - 1 x LED: Yellow
----------	--	---



#### Mechanical data

Housing:		Ring
Dimensions:	[Hz]	41 x 12 x 70.5
Materials:		Housing: PC black - Sensing area: PVC black
Mounting:		Not embeddable
Weight:	[g]	330

#### Electrical connection

Cable:		10 m - PVC/PVC - 4 x 0.25 mm <sup>2</sup>
--------	--	---

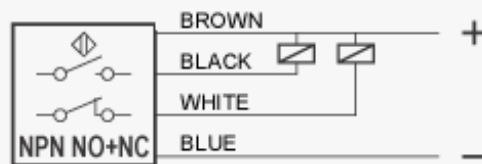
#### Compliance to Standards / Directives

Directives compliance:		2014/30/EU -Electromagnetic compatibility directive (EMC)
Standards compliance:		EN60947-5-2 - Product standard

## 2. NORME DI INSTALLAZIONE

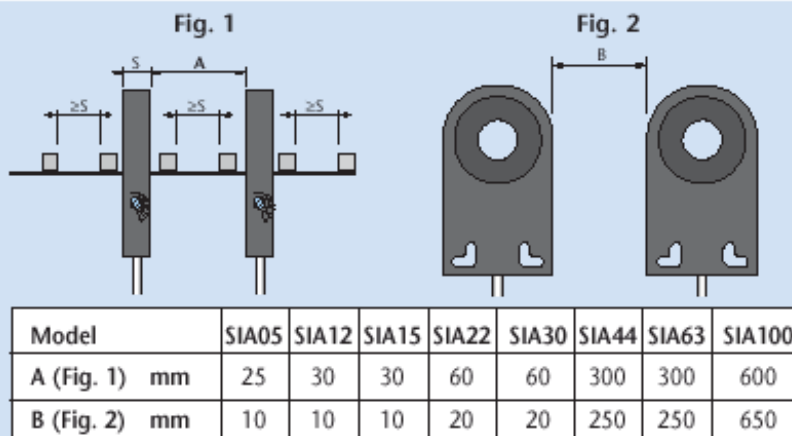
#### WIRING DIAGRAM

### 4 WIRES CABLE - LOGIC NPN NO+NC



#### INSTRUCTIONS FOR CORRECT INSTALLATION

### INSTRUCTIONS FOR CORRECT INSTALLATION



Titolo img 1

**MIN. DIMENSIONS OF THE OBJECT TO DETECT (Fe37)**

Model		SIA15
Lenght	mm	2
Diameter	mm	1.2

**SWITCHING FREQUENCY**

The switching frequency of inductive ring sensors depends on delayed impulse time (**when inserted**) according to the formula :

$$\text{Switching frequency (Hz)} = \frac{1}{(T \text{ impulse} + 10) \text{ mS}}$$

Vice versa, the switching frequency will be between 600+1000 Hz.