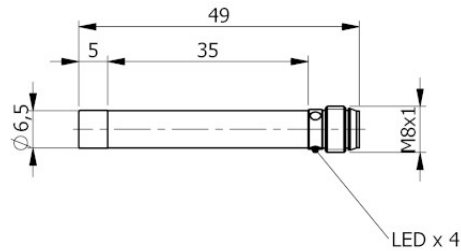


Part number: **I65000049** Model: **SI6.5-DCE3 NPN NC H1 S**



Dimension in mm

1. TECHNICAL CHARACTERISTICS



Electrical data

| | | |
|------------------------------|------|-----------------|
| Power supply type: | | Direct current |
| Working voltage: | [V] | 10 ÷ 30 |
| Current consumption: | [mA] | < 12 mA @ 24Vdc |
| Protection class: | | III |
| Reverse polarity protection: | | Presente |

Outputs

| | | |
|---------------------------|------|---------|
| Electrical design: | | NPN |
| Function: | | NC |
| Max voltage drop: | [V] | < 1.8 |
| Max output current: | [mA] | 200 |
| Max switching frequency: | [Hz] | 2000 |
| Short circuit protection: | | Present |
| Overload protection: | | Present |

Detection zone

| | | |
|----------------------------|------|----------|
| Switching distance-Sn: | [mm] | 3 |
| Real sensing distance-Sr: | [mm] | 3 ±10% |
| Operative distance-So: | [mm] | 0 ÷ 2.43 |
| Extended sensing distance: | | Si |

Accuracy and Deviations

| | | |
|------------------------|-------|--|
| Correction factor: | | Stainless steel: 0.9 - Brass: 0.5 - Aluminium: 0.4 - Copper: 0.4 |
| Hysteresis: | [%Sr] | < 10 |
| Switching point drift: | [%Sr] | -1 |
| Repeatability: | [%Sn] | < 3 |

Environmental conditions

| | | |
|---------------------|------|--|
| Temperature limits: | [°C] | -25/+70 |
| IP rating: | | IP65-IP66-IP67 (depending on connector) |

Display and control elements

Display: Output switching status - 4 x 90° LED: Yellow

Mechanical data

| | |
|------------------|--|
| Housing: | Smooth cylindrical |
| Dimensions: [mm] | Ø 6.5 - L=49 |
| Materials: | Housing: AISI 303 - Sensing area: POM grey |
| Mounting: | Not embeddable |
| Weight: [g] | 20 |

Electrical connection

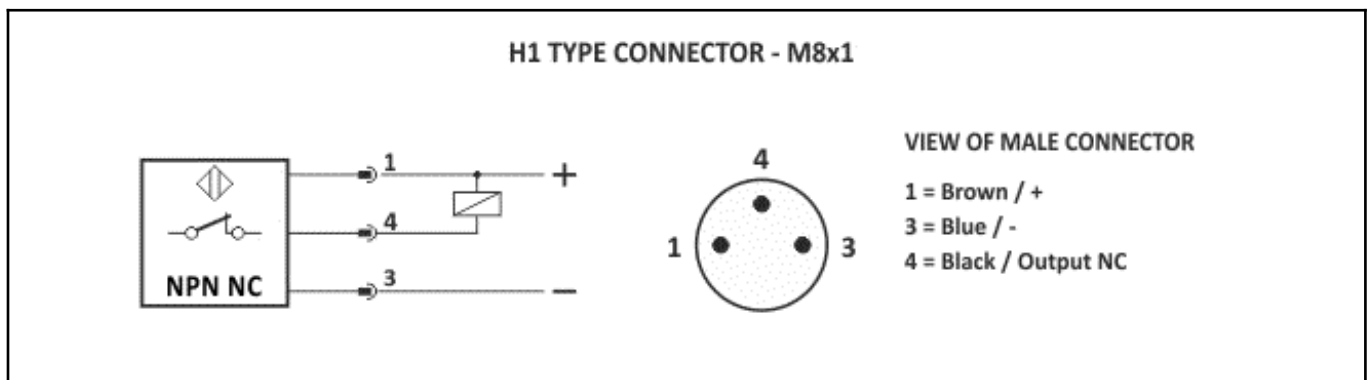
Connector: H1 type - M8X1 - gold plated contacts

Compliance to Standards / Directives

| | |
|------------------------|---|
| Directives compliance: | 2014/30/EU -Electromagnetic compatibility directive (EMC) |
| Standards compliance: | EN60947-5-2 - Product standard |

2. NORME DI INSTALLAZIONE

WIRING DIAGRAM



INSTRUCTIONS FOR CORRECT INSTALLATION

