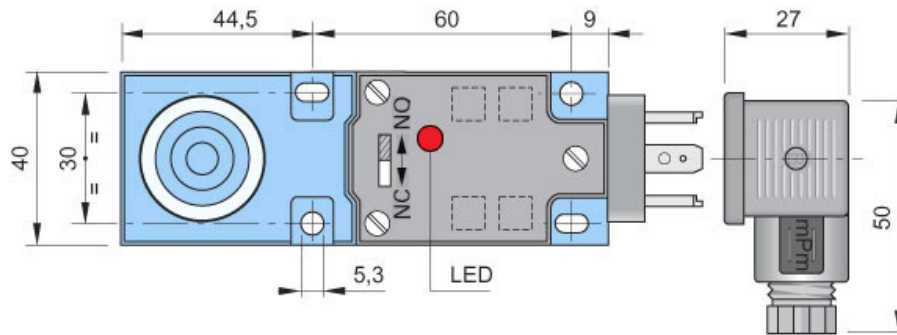


Part number: **SIP000086** Model: **SIP40-AE20 NO/NC K**



Version with connector exit top version

Dimension in mm

## 1. TECHNICAL CHARACTERISTICS



### Electrical data

Power supply type:		Alternating current
Working voltage:	[V]	20 ÷ 250
Protection class:		III

### Outputs

Function:		NO/NC programmable
Max voltage drop:	[V]	< 6
Max output current:	[mA]	300
Minimum output current:	[mA]	5
Max peak current:	[A]	1.5
Residual current:	[mA]	< 1
Max switching frequency:	[Hz]	12

### Detection zone

Switching distance-Sn:	[mm]	20
Real sensing distance-Sr:	[mm]	20 ±10%
Operative distance-So:	[mm]	0 ÷ 16.20

### Accuracy and Deviations

Correction factor:		Stainless steel: 0.9 - Brass: 0.5 - Aluminium: 0.4 - Copper: 0.4
Hysteresis:	[%Sr]	< 10
Switching point drift:	[%Sr]	-1
Repeatability:	[%Sn]	< 3

### Environmental conditions

Temperature limits:	[°C]	-25/+70
IP rating:		IP65

### Display and control elements

Display:		Output switching status - 1 x LED: Yellow
----------	--	---

### Mechanical data

Housing:		Parallelepiped
Dimensions:	[mm]	40 x 40 x 114
Materials:		Housing: PC blue - Sensing area: PC blue
Mounting:		Not embeddable
Weight:	[g]	220

### Electrical connection

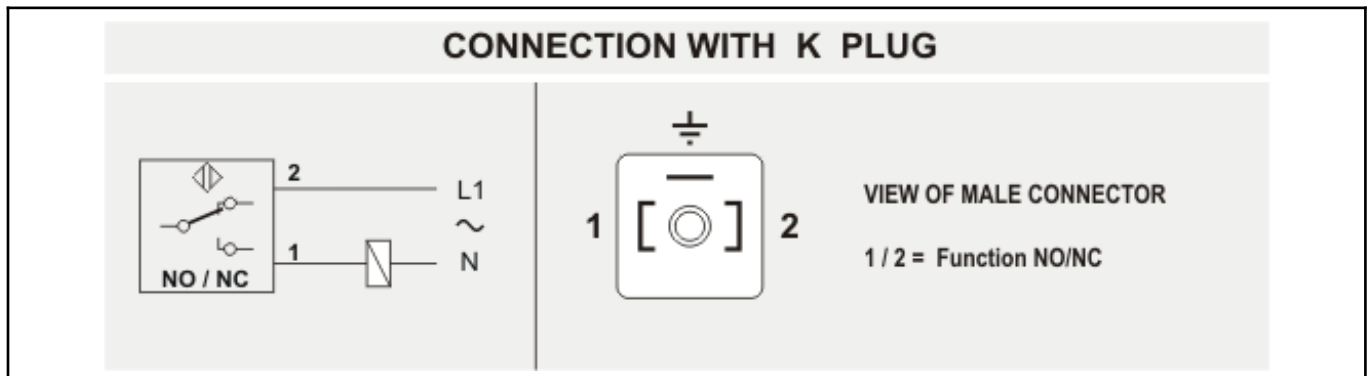
Connector:		K Type - 3 poles - EN 17301-803
------------	--	---------------------------------

### Compliance to Standards / Directives

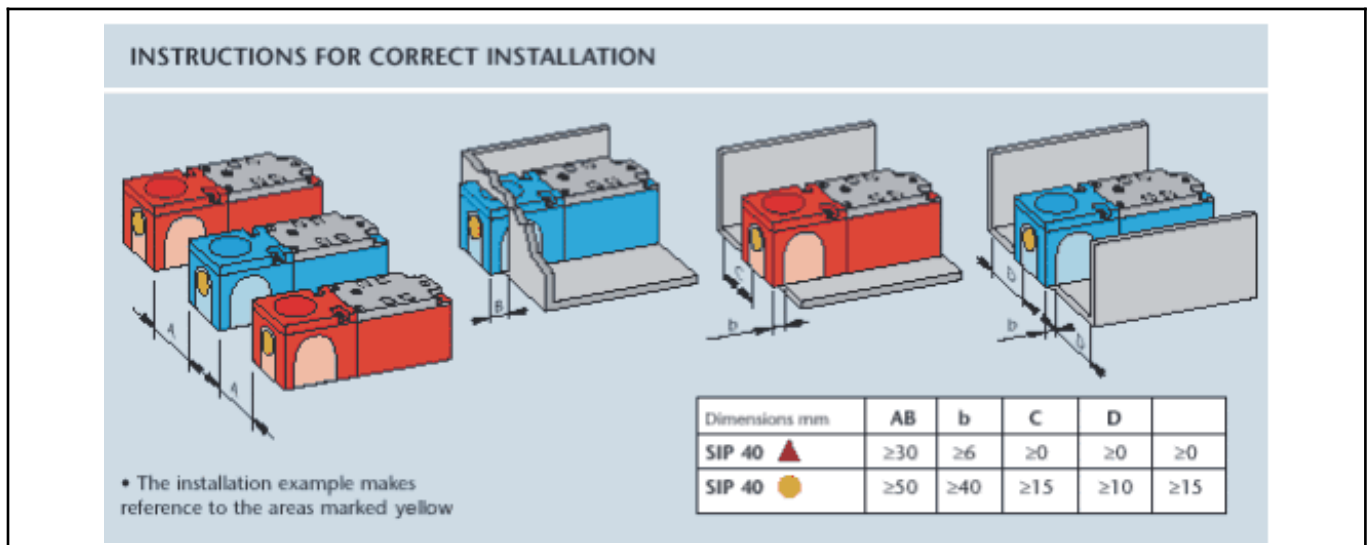
Directives compliance:		2014/30/EU -Electromagnetic compatibility directive (EMC) 2014/35/UE -Low voltage directive (LVD)
Standards compliance:		EN60947-5-2 - Product standard

## 2. NORME DI INSTALLAZIONE

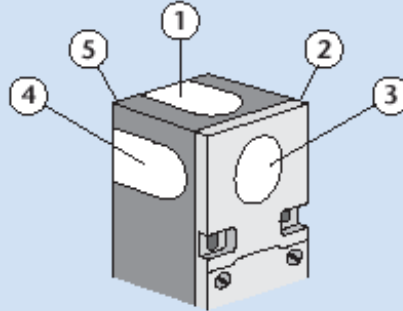
### WIRING DIAGRAM



### INSTRUCTIONS FOR CORRECT INSTALLATION



Titolo img 1

**ADJUSTABLE SENSITIVITY SIP 40**

NOTE: In the SIP 40 sensor the oscillator is contained in a module which clips into the body whose surface can then be sensitive on five different positions. The surface chosen can be identified by applying the circular adhesive label.