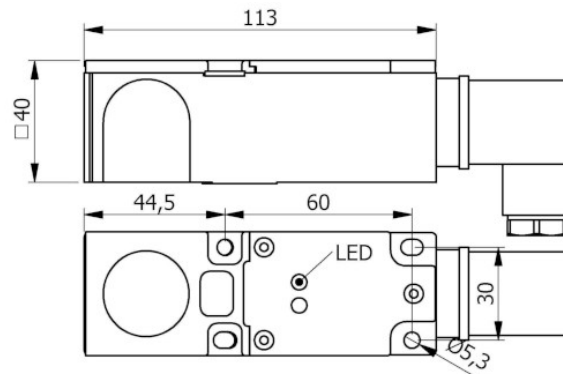


Part number: **SIP000094** Model: **SIP40-C15 NPN NO+NC K**



SENSITIVITY ADJUSTABLE IN 5 POSITIONS

Dimension in mm

## 1. TECHNICAL CHARACTERISTICS



### Electrical data

Power supply type:		Direct current
Working voltage:	[V]	10 ÷ 55
Current consumption:	[mA]	< 10 mA @ 24Vdc
Protection class:		III
Reverse polarity protection:		Presente

### Outputs

Electrical design:		NPN
Function:		NO+NC
Max voltage drop:	[V]	< 1.8
Max output current:	[mA]	200
Max switching frequency:	[Hz]	300
Short circuit protection:		Present
Overload protection:		Present

### Detection zone

Switching distance-Sn:	[mm]	15
Real sensing distance-Sr:	[mm]	15 ±10%
Operative distance-So:	[mm]	0 ÷ 12.15

### Accuracy and Deviations

Correction factor:		Stainless steel: 0.9 - Brass: 0.5 - Aluminium: 0.4 - Copper: 0.4
Hysteresis:	[%Sr]	< 10
Switching point drift:	[%Sr]	-1
Repeatability:	[%Sn]	< 3

### Environmental conditions

Temperature limits:	[°C]	-25/+70
IP rating:		IP65

### Display and control elements

Display: Output switching status - 1 x LED: Yellow

### Mechanical data

Housing: Parallelepiped  
 Dimensions: [mm] 40 x 40 x 114  
 Materials: Housing: PC red - Sensing area: PC red  
 Mounting: Embeddable  
 Weight: [g] 220

### Electrical connection

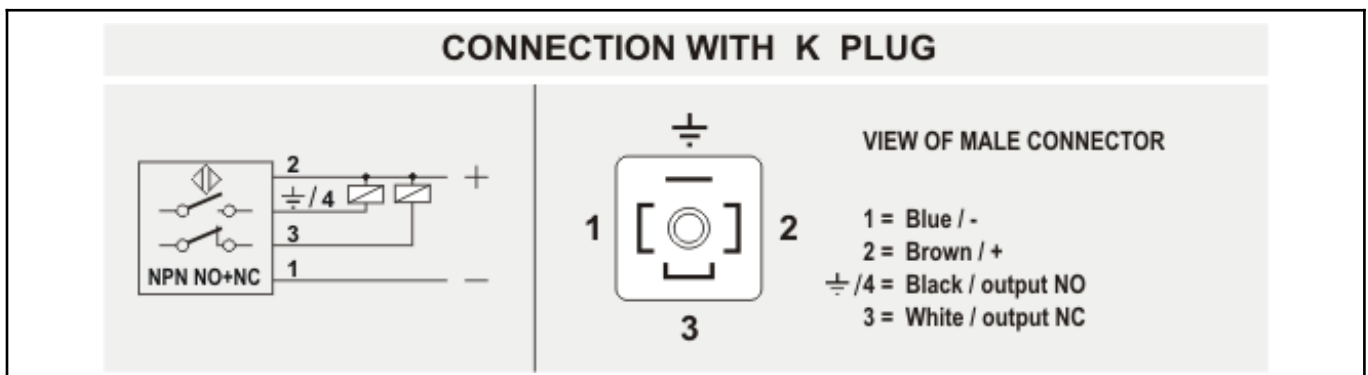
Connector: K Type - 4 poles - EN 17301-803

### Compliance to Standards / Directives

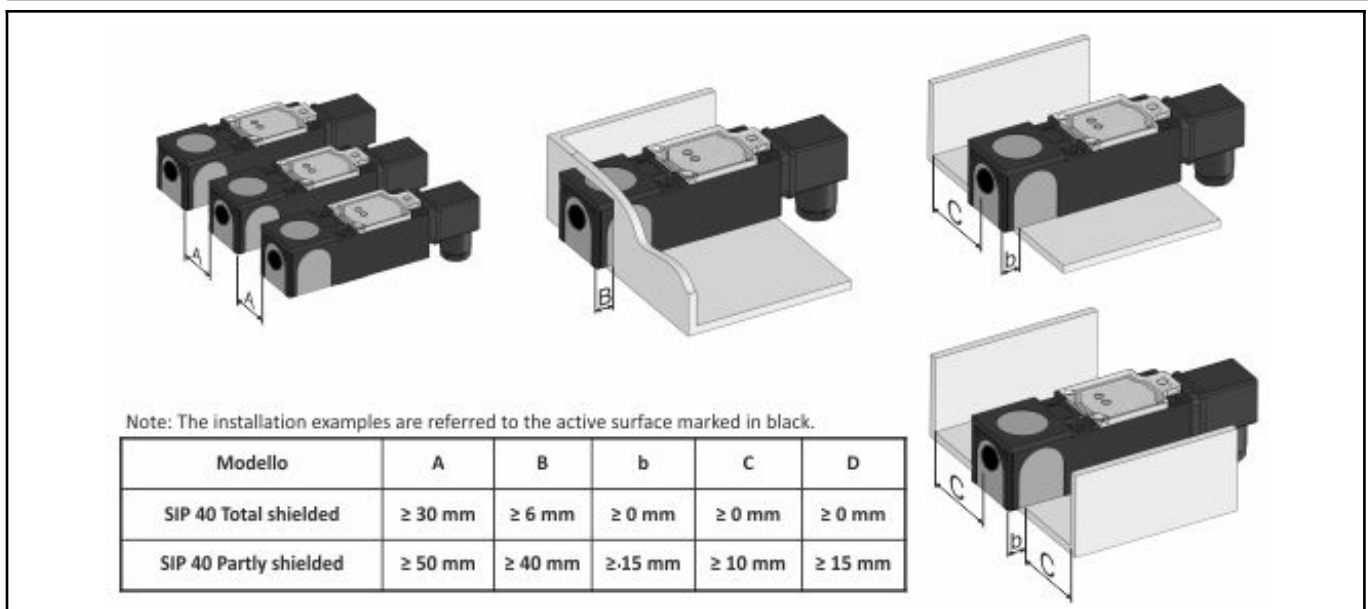
Directives compliance: 2014/30/EU -Electromagnetic compatibility directive (EMC)  
 Standards compliance: EN60947-5-2 - Product standard

## 2. NORME DI INSTALLAZIONE

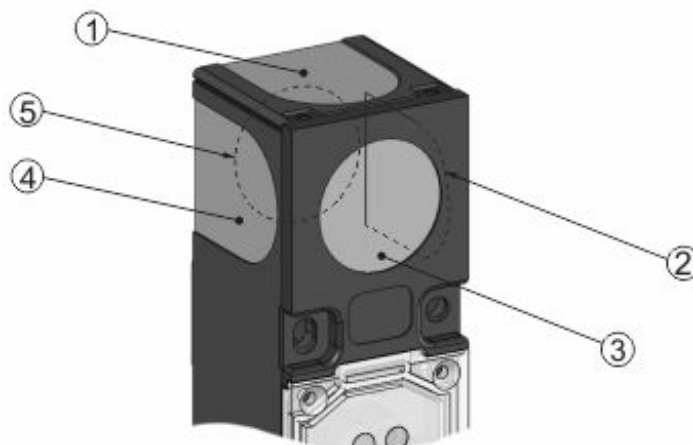
### WIRING DIAGRAM



### INSTRUCTIONS FOR CORRECT INSTALLATION



Titolo img 1



Note: In the SIP40 sensor the oscillator is housed in a module interlocking and the active surface can assume five different positions as needed and can be highlighted externally with a special label supplied with the product.