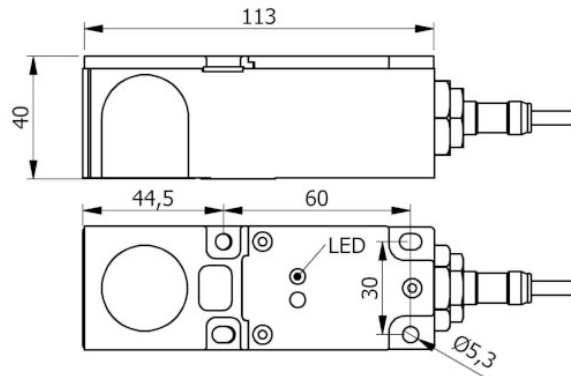


Part number: **SIP000095** Model: **SIP40-C15 NPN NO+NC LC2**



SENSITIVITY ADJUSTABLE IN 5 POSITIONS

Dimension in mm

1. TECHNICAL CHARACTERISTICS



Electrical data

Power supply type:		Direct current
Working voltage:	[V]	10 ÷ 55
Current consumption:	[mA]	< 10 mA @ 24Vdc
Protection class:		III
Reverse polarity protection:		Presente

Outputs

Electrical design:		NPN
Function:		NO+NC
Max voltage drop:	[V]	< 1.8
Max output current:	[mA]	200
Max switching frequency:	[Hz]	300
Short circuit protection:		Present
Overload protection:		Present

Detection zone

Switching distance-Sn:	[mm]	15
Real sensing distance-Sr:	[mm]	15 ±10%
Operative distance-So:	[mm]	0 ÷ 12.15

Accuracy and Deviations

Correction factor:		Stainless steel: 0.9 - Brass: 0.5 - Aluminium: 0.4 - Copper: 0.4
Hysteresis:	[%Sr]	< 10
Switching point drift:	[%Sr]	-1
Repeatability:	[%Sn]	< 3

Environmental conditions

Temperature limits:	[°C]	-25/+70
IP rating:		IP65-IP66-IP67

Display and control elements

Display: Output switching status - 1 x LED: Yellow

Mechanical data

Housing: Parallelepiped
 Dimensions: [mm] 40 x 40 x 114
 Materials: Housing: PC red - Sensing area: PC red
 Mounting: Embeddable
 Weight: [g] 280

Electrical connection

Cable: 2 m - PVC/PVC - 4 x 0.25 mm²

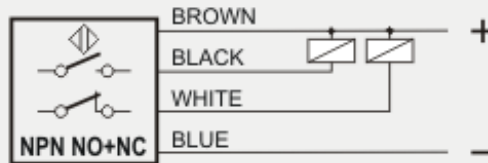
Compliance to Standards / Directives

Directives compliance: 2014/30/EU - Electromagnetic compatibility directive (EMC)
 Standards compliance: EN60947-5-2 - Product standard

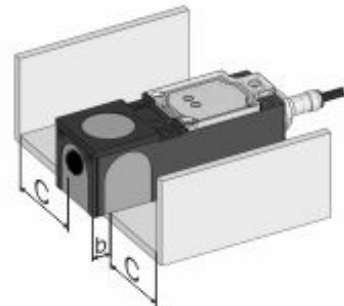
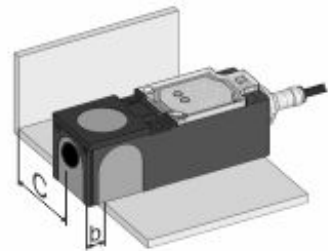
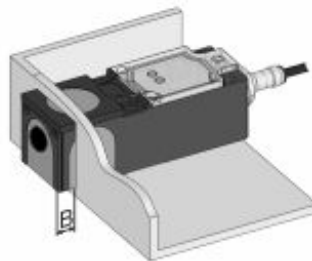
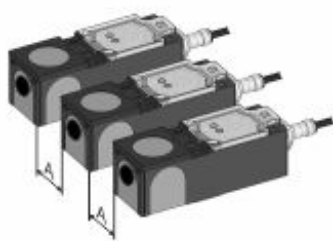
2. NORME DI INSTALLAZIONE

WIRING DIAGRAM

4 WIRES CABLE - LOGIC NPN NO+NC



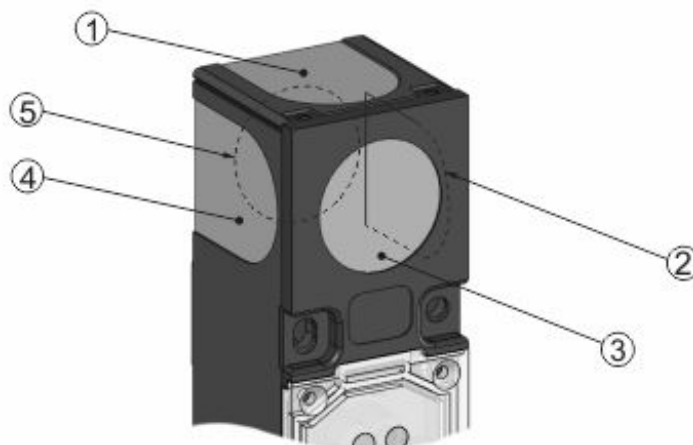
INSTRUCTIONS FOR CORRECT INSTALLATION



Note: The installation examples are referred to the active surface marked in black.

Modello	A	B	b	C	D
SIP 40 Total shielded	≥ 30 mm	≥ 6 mm	≥ 0 mm	≥ 0 mm	≥ 0 mm
SIP 40 Partly shielded	≥ 50 mm	≥ 40 mm	≥ 15 mm	≥ 10 mm	≥ 15 mm

Titolo img 1



Note: In the SIP40 sensor the oscillator is housed in a module interlocking and the active surface can assume five different positions as needed and can be highlighted externally with a special label supplied with the product.