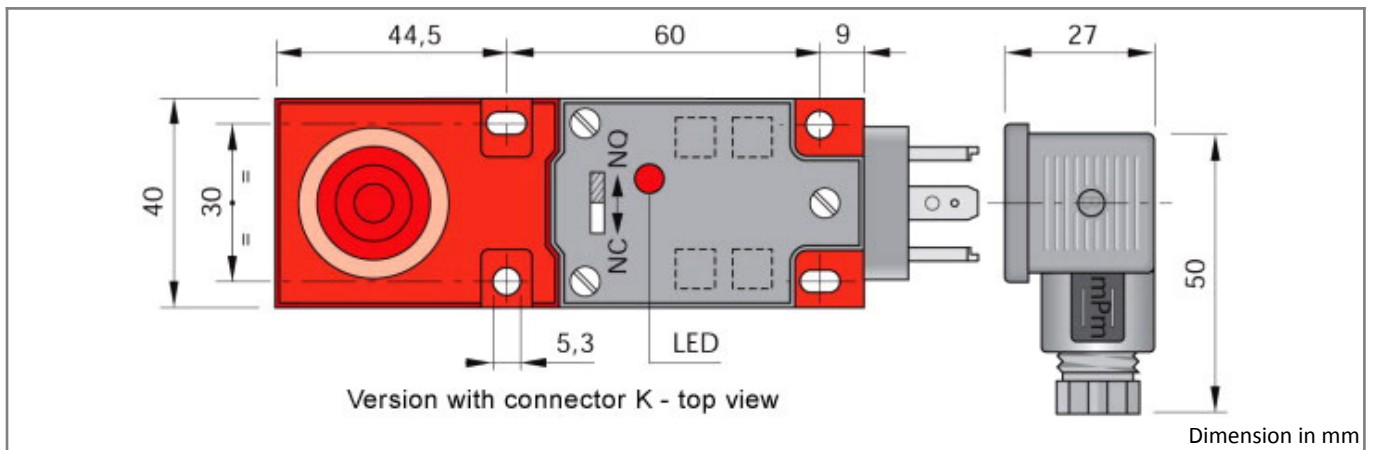


Part number: **SIP000098** Model: **SIP40-CE20 NPN NO+NC K**



1. TECHNICAL CHARACTERISTICS



Electrical data		
Power supply type:		Direct current
Working voltage:	[V]	10 ÷ 55
Current consumption:	[mA]	< 10 mA @ 24Vdc
Protection class:		III
Reverse polarity protection:		Presente
Outputs		
Electrical design:		NPN
Function:		NO+NC
Max voltage drop:	[V]	< 1.8
Max output current:	[mA]	200
Max switching frequency:	[Hz]	300
Short circuit protection:		Present
Overload protection:		Present
Detection zone		
Switching distance-S _n :	[mm]	20
Real sensing distance-S _r :	[mm]	20 ±10%
Operative distance-S _o :	[mm]	0 ÷ 16.20
Accuracy and Deviations		
Correction factor:		Stainless steel: 0.9 - Brass: 0.5 - Aluminium: 0.4 - Copper: 0.4
Hysteresis:	[%Sr]	< 10
Switching point drift:	[%Sr]	-1
Repeatability:	[%Sn]	< 3
Environmental conditions		
Temperature limits:	[°C]	-25/+70
IP rating:		IP65

Display and control elements

Display: Output switching status - 1 x LED: Yellow

Mechanical data

Housing: Parallelepiped
 Dimensions: [mm] 40 x 40 x 114
 Materials: Housing: PC red - Sensing area: PC red
 Mounting: Not embeddable
 Weight: [g] 220

Electrical connection

Connector: K Type - 4 poles - EN 17301-803

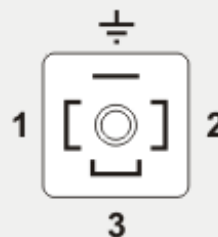
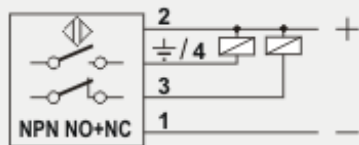
Compliance to Standards / Directives

Directives compliance: 2014/30/EU -Electromagnetic compatibility directive (EMC)
 Standards compliance: EN60947-5-2 - Product standard

2. NORME DI INSTALLAZIONE

WIRING DIAGRAM

CONNECTION WITH K PLUG

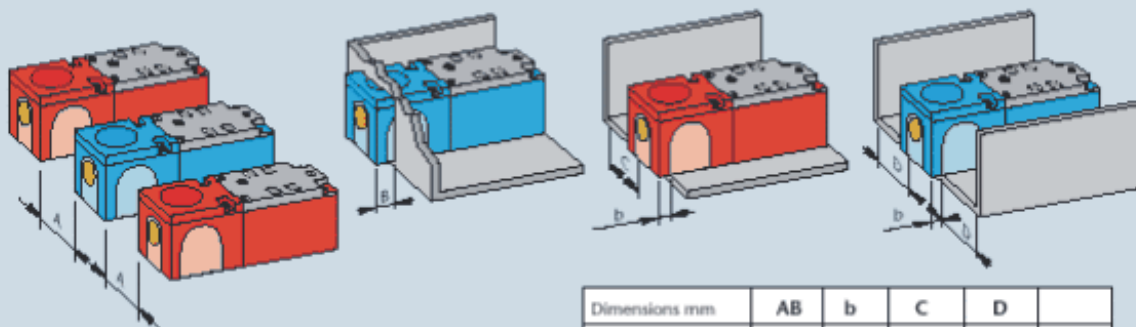


VIEW OF MALE CONNECTOR

- 1 = Blue / -
- 2 = Brown / +
- ⊕/4 = Black / output NO
- 3 = White / output NC

INSTRUCTIONS FOR CORRECT INSTALLATION

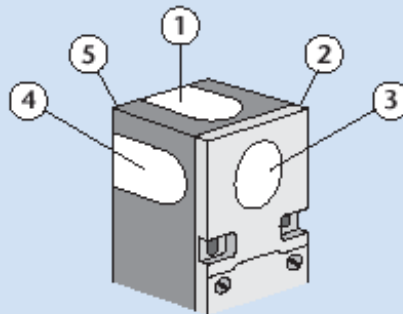
INSTRUCTIONS FOR CORRECT INSTALLATION



• The installation example makes reference to the areas marked yellow

Dimensions mm	AB	b	C	D	
SIP 40 ▲	≥30	≥6	≥0	≥0	≥0
SIP 40 ●	≥50	≥40	≥15	≥10	≥15

Titolo img 1

ADJUSTABLE SENSITIVITY SIP 40

NOTE: In the SIP 40 sensor the oscillator is contained in a module which clips into the body whose surface can then be sensitive on five different positions. The surface chosen can be identified by applying the circular adhesive label.