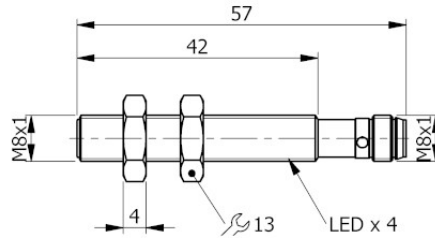


Part number: **I08000004** Model: **SI8-C1 NPN NC H1**



Dimension in mm

## 1. TECHNICAL CHARACTERISTICS



### Electrical data

|                              |      |                 |
|------------------------------|------|-----------------|
| Power supply type:           |      | Direct current  |
| Working voltage:             | [V]  | 6 ÷ 30          |
| Current consumption:         | [mA] | < 12 mA @ 24Vdc |
| Protection class:            |      | III             |
| Reverse polarity protection: |      | Presente        |

### Outputs

|                           |      |         |
|---------------------------|------|---------|
| Electrical design:        |      | NPN     |
| Function:                 |      | NC      |
| Max voltage drop:         | [V]  | < 1.8   |
| Max output current:       | [mA] | 200     |
| Max switching frequency:  | [Hz] | 2000    |
| Short circuit protection: |      | Present |
| Overload protection:      |      | Present |

### Detection zone

|                           |      |          |
|---------------------------|------|----------|
| Switching distance-Sn:    | [mm] | 1.5      |
| Real sensing distance-Sr: | [mm] | 1.5 ±10% |
| Operative distance-So:    | [mm] | 0 ÷ 1.22 |

### Accuracy and Deviations

|                        |       |  |
|------------------------|-------|--|
| Correction factor:     |       | Stainless steel: 0.9 - Brass: 0.5 - Aluminium: 0.4 - Copper: 0.4 |
| Hysteresis:            | [%Sr] | < 10   |
| Switching point drift: | [%Sr] | -10 ÷ +10  |
| Repeatability:         | [%Sn] | < 3  |

### Environmental conditions

|                     |      |  |
|---------------------|------|--|
| Temperature limits: | [°C] | -25 ÷ +70                                |
| IP rating:          |      | IP65-IP66-IP67 (depending on connector ) |

**Display and control elements**

Display: Output switching status - 4 x 90° LED: Yellow

**Mechanical data**

|                     |  |
|---------------------|--|
| Housing:            | Threded type   |
| Thread designation: | M8x1   |
| Dimensions: [mm]    | M8x1 - L=57  |
| Materials:          | Housing: AISI 303 - Sensing area: POM red - Lock nuts: Nickel-plated brass |
| Mounting:           | Embeddable   |
| Weigth: [g]         | 30   |

**Electrical connection**

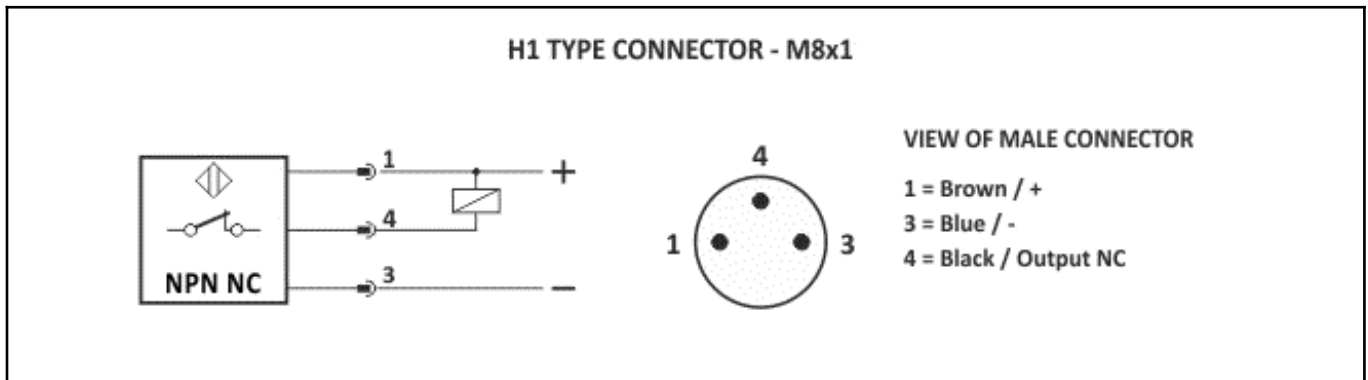
Connector: H1 type - M8X1 - gold plated contacts

**Compliance to Standards / Directives**

|                        |   |
|------------------------|---|
| Directives compliance: | 2014/30/EU -Electromagnetic compatibility directive (EMC) |
| Standards compliance:  | EN60947-5-2 - Product standard                            |

**2. NORME DI INSTALLAZIONE**

**WIRING DIAGRAM**



**INSTRUCTIONS FOR CORRECT INSTALLATION**

