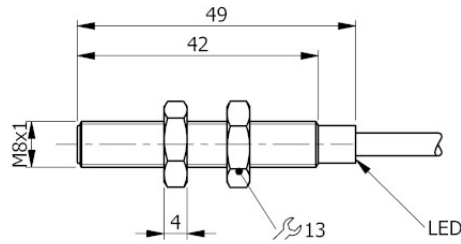


Part number: **I08000017** Model: **SI8-C1 PNP NC**



Dimension in mm

## 1. TECHNICAL CHARACTERISTICS



### Electrical data

Power supply type:		Direct current
Working voltage:	[V]	6 ÷ 30
Current consumption:	[mA]	< 12 mA @ 24Vdc
Protection class:		III
Reverse polarity protection:		Presente

### Outputs

Electrical design:		PNP
Function:		NC
Max voltage drop:	[V]	< 1.8
Max output current:	[mA]	200
Max switching frequency:	[Hz]	2000
Short circuit protection:		Present
Overload protection:		Present

### Detection zone

Switching distance-Sn:	[mm]	1.5
Real sensing distance-Sr:	[mm]	1.5 ±10%
Operative distance-So:	[mm]	0 ÷ 1.22

### Accuracy and Deviations

Correction factor:		Stainless steel: 0.9 - Brass: 0.5 - Aluminium: 0.4 - Copper: 0.4
Hysteresis:	[%Sr]	< 10
Switching point drift:	[%Sr]	-10 ÷ +10
Repeatability:	[%Sn]	< 3

### Environmental conditions

Temperature limits:	[°C]	-25 ÷ +70
IP rating:		IP65-IP66-IP67

**Display and control elements**

Display:	Output switching status - 1 x LED: Yellow
----------	---

**Mechanical data**

Housing:	Threded type
Thread designation:	M8x1
Dimensions: [mm]	M8x1 - L=50
Materials:	Housing: AISI 303 - Sensing area: POM red - Lock nuts: Nickel-plated brass
Mounting:	Embeddable
Weigth: [g]	60

**Electrical connection**

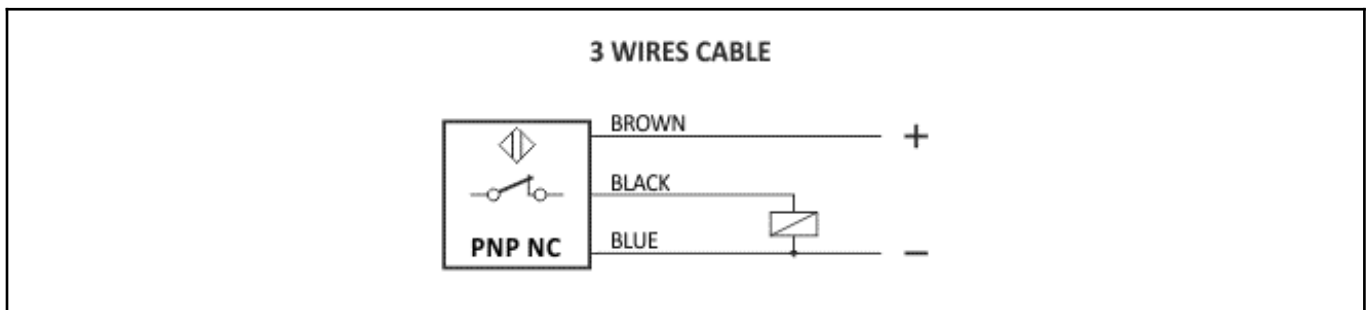
Cable:	2 m - PVC/PVC - 3 x 0.14 mm <sup>2</sup>
--------	--

**Compliance to Standards / Directives**

Directives compliance:	2014/30/EU -Electromagnetic compatibility directive (EMC)
Standards compliance:	EN60947-5-2 - Product standard

**2. NORME DI INSTALLAZIONE**

**WIRING DIAGRAM**



**INSTRUCTIONS FOR CORRECT INSTALLATION**

