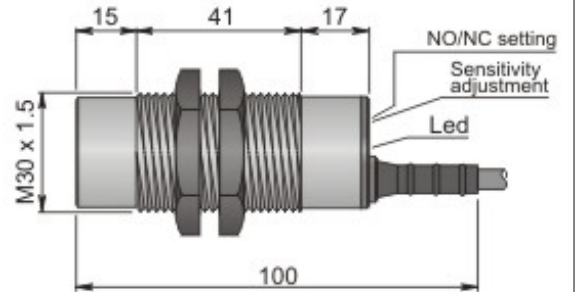




Part number: C30000139 - Model: SC30SP-AE25 NO/NC LC10



Dimension in mm

TECHNICAL CHARACTERISTICS

Working voltage:	20 ÷ 250 Vac
Output type:	AC
Function:	NO/NC programmable
Actuation type:	Instantaneous
Sensing distance (mm):	0 ÷ 25 (adjustable)
Hysteresis (%Sn):	< = 20
Max switching frequency:	10 Hz
Repeatability (%Sn):	< 10
Max output current:	500 mA
Min output current:	10 mA (minimum current for release)
Max. peak current for 20msec:	1.5 A
Residual current:	< = 1 mA
Voltage drop:	< 6 V
Led indicator:	Yellow
Shielding:	Not embeddable
Mechanical characteristics:	M30x1.5
Housing material:	Plastic
Connection type:	Cable 10 m
Cable type:	3x0.35 PVC
Temperature limits:	-20 ÷ +70 °C
IP rating:	IP 67
Weight:	510 g



Part number: C30000139 - Model: SC30SP-AE25 NO/NC LC10

WIRING DIAGRAM

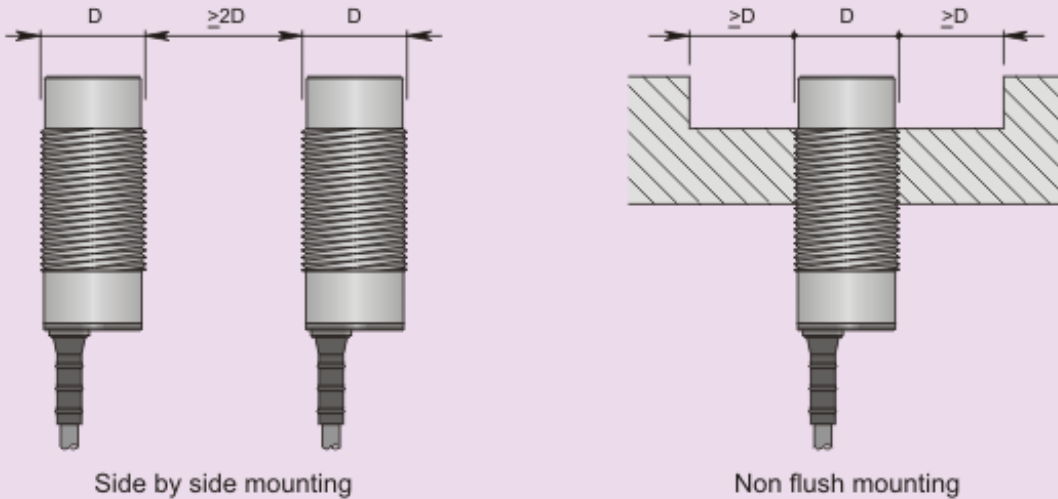
2 WIRES + GROUND CABLE (NO/NC Programmable)



INSTRUCTIONS FOR CORRECT INSTALLATION

INSTRUCTIONS FOR CORRECT INSTALLATION

NOT EMBEDDABLE



REAR VIEW

