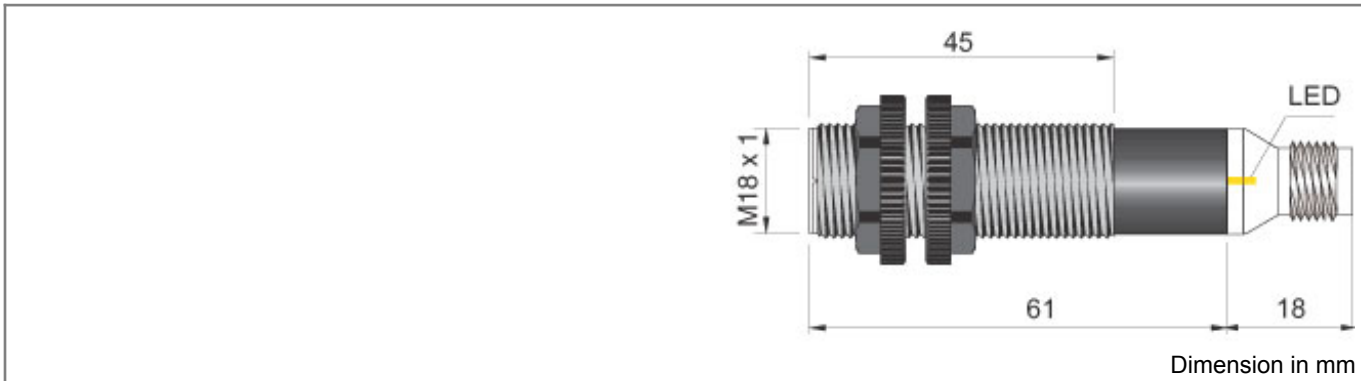




Part number: FT1000276 - Model: FT18EL-CP NPN NO+NC H



TECHNICAL CHARACTERISTICS

Power supply:	Direct current
Working voltage:	10 ÷ 30 Vdc
Switching distance (cm):	10
Output type:	DC NPN
Function:	NO+NC
Actuation type:	Instantaneous
Light source:	Infrared
Power on delay:	< = 50 mSec
Max switching frequency:	200 Hz
Max output current:	200 mA
Absorption:	< = 20 mA @ 24 Vdc
Voltage drop:	< = 1.5 V
Short circuit protection:	Present
Interference from external light:	> 10000 Lux
Led indicator:	Yellow = operation indicator
Temperature limits:	-20 ÷ +50 °C
IP rating:	Depending on connector
Housing material:	Black Makrolon
Mechanical characteristics:	M18x1
Connection type:	H plug
Weight:	30 g



Part number: FT1000276 - Model: FT18EL-CP NPN NO+NC H

