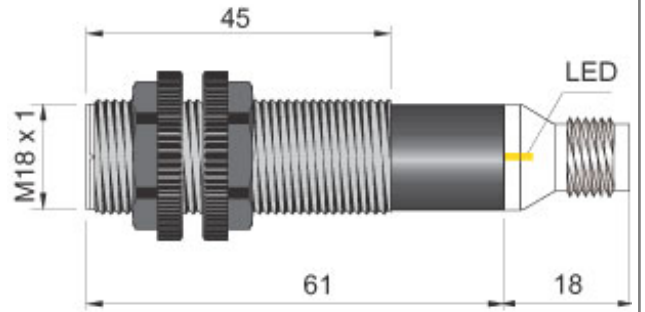




Part number: FT1000282 - Model: FT18EL-CAR PNP NO+NC H



Dimension in mm

TECHNICAL CHARACTERISTICS

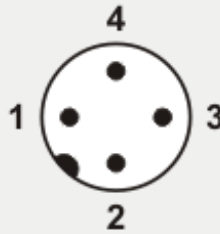
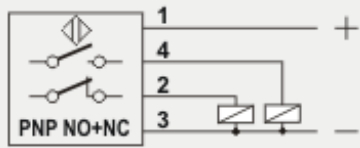
| | |
|-----------------------------------|------------------------------|
| Power supply: | Direct current |
| Working voltage: | 10 ÷ 30 Vdc |
| Switching distance (cm): | 400 |
| Output type: | DC PNP |
| Function: | NO+NC |
| Actuation type: | Instantaneous |
| Light source: | Red |
| Power on delay: | < = 50 mSec |
| Max switching frequency: | 200 Hz |
| Max output current: | 200 mA |
| Absorption: | < = 30 mA @ 24 Vdc |
| Voltage drop: | < = 1.5 V |
| Short circuit protection: | Present |
| Interference from external light: | > 10000 Lux |
| Led indicator: | Yellow = operation indicator |
| Temperature limits: | -20 ÷ +50 °C |
| IP rating: | Depending on connector |
| Housing material: | Black Makrolon |
| Mechanical characteristics: | M18x1 |
| Connection type: | H plug |
| Weight: | 30 g |



Part number: FT1000282 - Model: FT18EL-CAR PNP NO+NC H

WIRING DIAGRAM

CONNECTION WITH H PLUG



VIEW OF MALE CONNECTOR

- 1 = Brown / +
- 3 = Blue / -
- 4 = Black / output NO
- 2 = White / output NC

INSTRUCTIONS FOR CORRECT INSTALLATION

TYPES

Polarized reflection with reflector (AR type)



CHARACTERISTIC CURVES OF FT18M - FT18 - FT18EL - FTQ TYPES

FT18M-CAR / FT18-AAR / FT18EL-CAR

