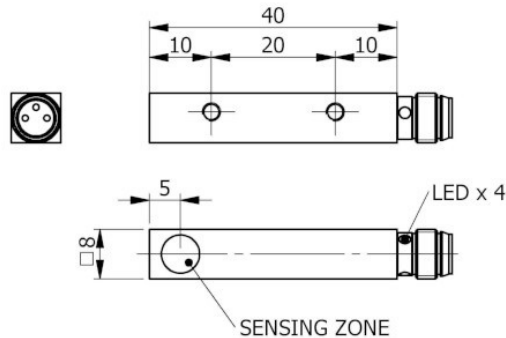


Part number: **SIP000030** Model: **SIPA8-C2 PNP NC H1**



Dimension in mm

## 1. TECHNICAL CHARACTERISTICS



### Electrical data

Power supply type:		Direct current
Working voltage:	[V]	6 ÷ 30
Current consumption:	[mA]	< 12 mA @ 24Vdc
Protection class:		III
Reverse polarity protection:		Presente

### Outputs

Electrical design:		PNP
Function:		NC
Max voltage drop:	[V]	< 1.8
Max output current:	[mA]	200
Max switching frequency:	[Hz]	2000
Short circuit protection:		Present
Overload protection:		Present

### Detection zone

Switching distance-Sn:	[mm]	2
Real sensing distance-Sr:	[mm]	2 ±10%
Operative distance-So:	[mm]	0 ÷ 1.62

### Accuracy and Deviations

Correction factor:		Stainless steel: 0.9 - Brass: 0.5 - Aluminium: 0.4 - Copper: 0.4
Hysteresis:	[%Sr]	< 10
Switching point drift:	[%Sr]	-1
Repeatability:	[%Sn]	< 3

### Environmental conditions

Temperature limits:	[°C]	-25/+70
IP rating:		IP65-IP66-IP67 (depending on connector )

**Display and control elements**

Display:	Output switching status - 4 x 90° LED: Yellow
----------	---

**Mechanical data**

Housing:	Parallelepiped
Dimensions: [mm]	8 x 8 x 40
Materials:	Housing: Anticorodal - Sensing area: POM grey
Mounting:	Embeddable
Weighth: [g]	20

**Electrical connection**

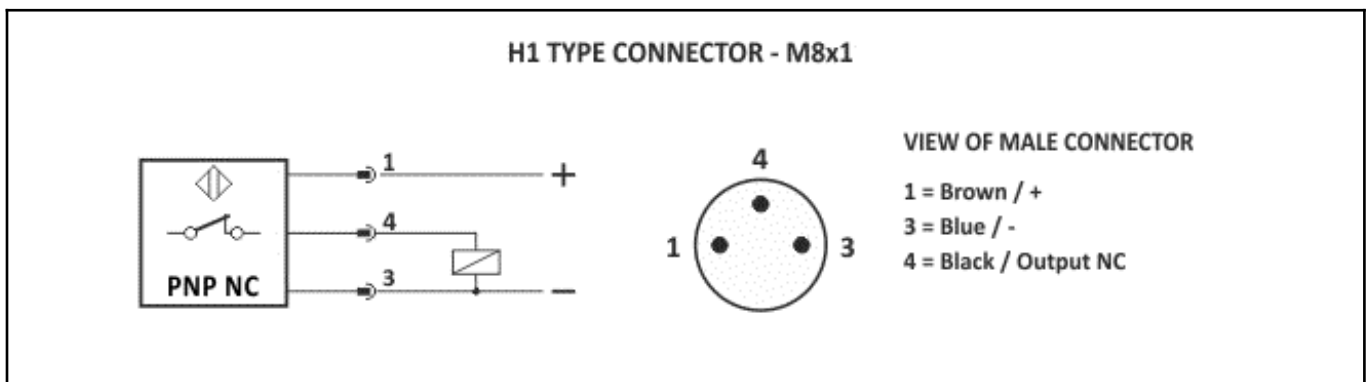
Connector:	H1 type - M8x1 - gold plated contacts
------------	---------------------------------------

**Compliance to Standards / Directives**

Directives compliance:	2014/30/EU -Electromagnetic compatibility directive (EMC)
Standards compliance:	EN60947-5-2 - Product standard

**2. NORME DI INSTALLAZIONE**

**WIRING DIAGRAM**



**INSTRUCTIONS FOR CORRECT INSTALLATION**

