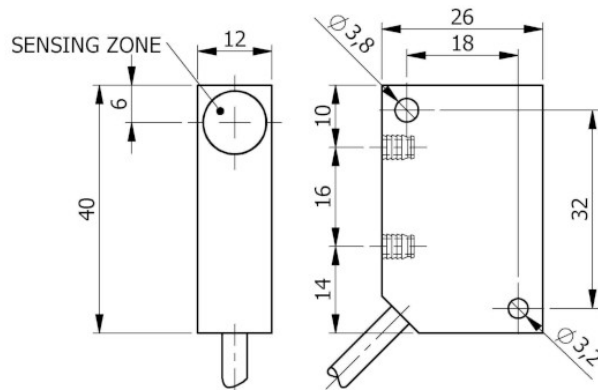


Part number: **SIP000042** Model: **SIP12-AE4 NC**



Dimension in mm

## 1. TECHNICAL CHARACTERISTICS



### Electrical data

Power supply type:	Alternating current	
Working voltage:	[V]	20 ÷ 250
Protection class:	III	

### Outputs

Function:	NC	
Max voltage drop:	[V]	< 6
Max output current:	[mA]	300
Minimum output current:	[mA]	5
Max peak current:	[A]	1.5
Residual current:	[mA]	< 1
Max switching frequency:	[Hz]	12

### Detection zone

Switching distance-Sn:	[mm]	4
Real sensing distance-Sr:	[mm]	4 ±10%
Operative distance-So:	[mm]	0 ÷ 3.24

### Accuracy and Deviations

Correction factor:	Stainless steel: 0.9 - Brass: 0.5 - Aluminium: 0.4 - Copper: 0.4	
Hysteresis:	[%Sr]	< 10
Switching point drift:	[%Sr]	-1
Repeatability:	[%Sn]	< 3

### Environmental conditions

Temperature limits:	[°C]	-25/+70
IP rating:	IP65-IP66-IP67	

### Display and control elements

Display:	Output switching status - 1 x LED: Yellow	
----------	---	--

**Mechanical data**

Housing:		Parallelepiped
Dimensions:	[mm]	12 x 40 x 26
Materials:		Housing: PVC black - Sensing area: PC blue
Mounting:		Not embeddable
Weight:	[g]	80

**Electrical connection**

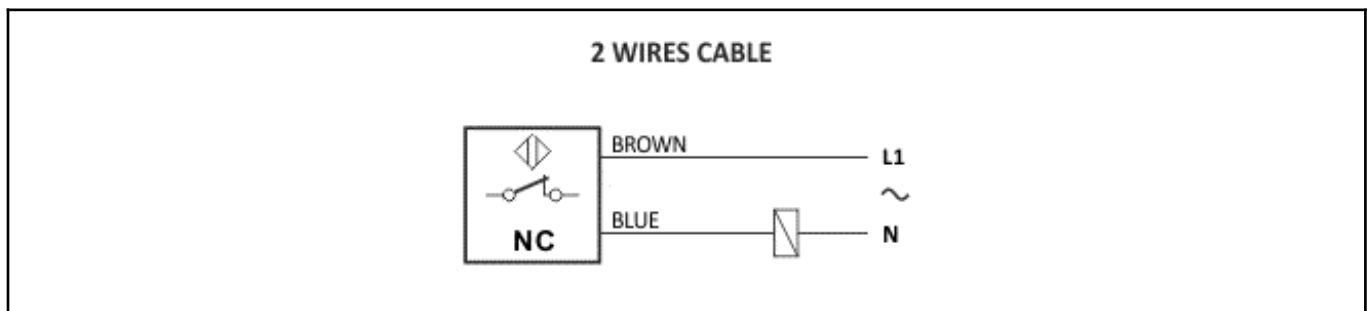
Cable:		2 m - PVC/PVC - 2 x 0.25 mm <sup>2</sup>
--------	--	--

**Compliance to Standards / Directives**

Directives compliance:		2014/30/EU -Electromagnetic compatibility directive (EMC) 2014/35/UE -Low voltage directive (LVD)
Standards compliance:		EN60947-5-2 - Product standard

**2. NORME DI INSTALLAZIONE**

**WIRING DIAGRAM**



**INSTRUCTIONS FOR CORRECT INSTALLATION**

