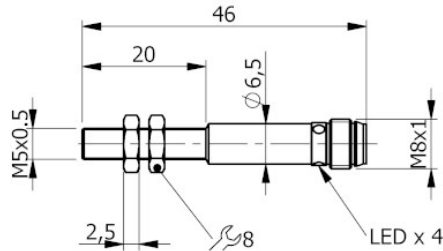


Part number: **I45000010** Model: **SI5-C0.8 NPN NC H1**



Dimension in mm

## 1. TECHNICAL CHARACTERISTICS



### Electrical data

Power supply type:		Direct current
Working voltage:	[V]	10 ÷ 30
Current consumption:	[mA]	< 10 mA @ 24Vdc
Protection class:		III
Reverse polarity protection:		Presente

### Outputs

Electrical design:		NPN
Function:		NC
Max voltage drop:	[V]	< 1.4
Max output current:	[mA]	100
Max switching frequency:	[Hz]	2000
Short circuit protection:		Present
Overload protection:		Present

### Detection zone

Switching distance-Sn:	[mm]	0.8
Real sensing distance-Sr:	[mm]	0.8 ±10%
Operative distance-So:	[mm]	0 ÷ 0.65

### Accuracy and Deviations

Correction factor:		Stainless steel: 0.9 - Brass: 0.5 - Aluminium: 0.4 - Copper: 0.4
Hysteresis:	[%Sr]	< 10
Switching point drift:	[%Sr]	-1
Repeatability:	[%Sn]	< 3

### Environmental conditions

Temperature limits:	[°C]	-25/+70
IP rating:		IP65-IP66-IP67 (depending on connector )

### Display and control elements

Display: Output switching status - 4 x 90° LED: Yellow

### Mechanical data

Housing:	Threded type
Thread designation:	M5x0.5
Dimensions: [mm]	M5x0.5 - L=46
Materials:	Housing: AISI 303 - Sensing area: POM black - Lock nuts: Nickel-plated brass
Mounting:	Embeddable
Weigth: [g]	20

### Electrical connection

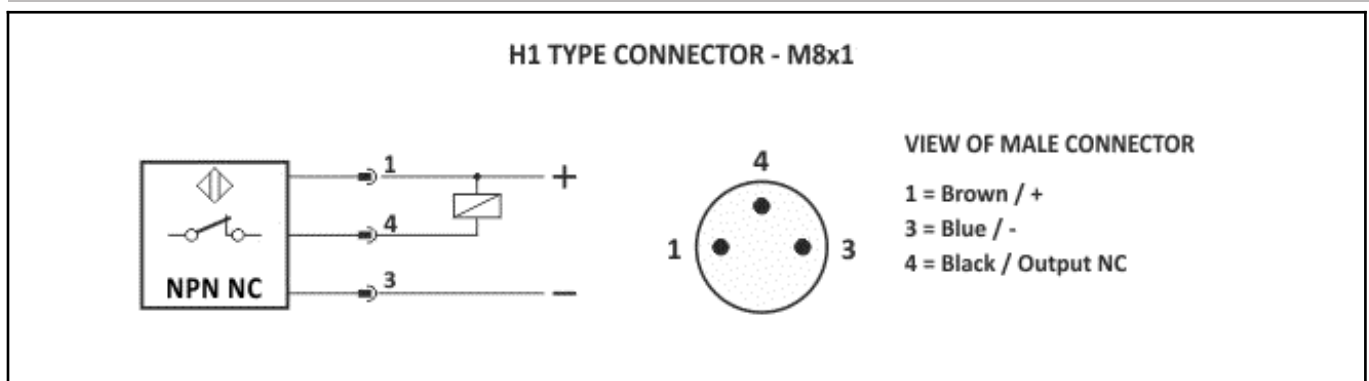
Connector: H1 type - M8X1 - gold plated contacts

### Compliance to Standards / Directives

Directives compliance:	2014/30/EU -Electromagnetic compatibility directive (EMC)
Standards compliance:	EN60947-5-2 - Product standard

## 2. NORME DI INSTALLAZIONE

### WIRING DIAGRAM



### INSTRUCTIONS FOR CORRECT INSTALLATION

