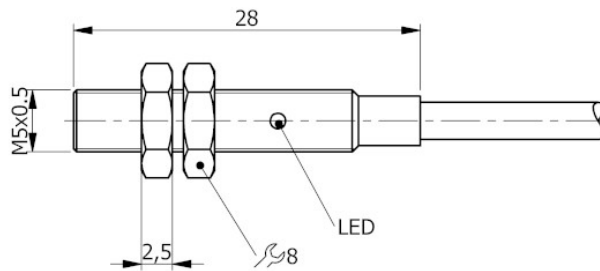


Part number: **I45000036** Model: **SI5-C0.8 NPN NC LC10**



Dimension in mm

1. TECHNICAL CHARACTERISTICS



Electrical data

| | | |
|------------------------------|------|-----------------|
| Power supply type: | | Direct current |
| Working voltage: | [V] | 10 ÷ 30 |
| Current consumption: | [mA] | < 10 mA @ 24Vdc |
| Protection class: | | III |
| Reverse polarity protection: | | Presente |

Outputs

| | | |
|---------------------------|------|---------|
| Electrical design: | | NPN |
| Function: | | NC |
| Max voltage drop: | [V] | < 1.4 |
| Max output current: | [mA] | 100 |
| Max switching frequency: | [Hz] | 2000 |
| Short circuit protection: | | Present |
| Overload protection: | | Present |

Detection zone

| | | |
|---------------------------|------|----------|
| Switching distance-Sn: | [mm] | 0.8 |
| Real sensing distance-Sr: | [mm] | 0.8 ±10% |
| Operative distance-So: | [mm] | 0 ÷ 0.65 |

Accuracy and Deviations

| | | |
|------------------------|-------|--|
| Correction factor: | | Stainless steel: 0.9 - Brass: 0.5 - Aluminium: 0.4 - Copper: 0.4 |
| Hysteresis: | [%Sr] | < 10 |
| Switching point drift: | [%Sr] | -1 |
| Repeatability: | [%Sn] | < 3 |

Environmental conditions

| | | |
|---------------------|------|----------------|
| Temperature limits: | [°C] | -25/+70 |
| IP rating: | | IP65-IP66-IP67 |

Display and control elements

| | |
|----------|---|
| Display: | Output switching status - 1 x LED: Yellow |
|----------|---|

Mechanical data

| | |
|---------------------|--|
| Housing: | Threded type |
| Thread designation: | M5x0.5 |
| Dimensions: [mm] | M5x0.5 - L=28 |
| Materials: | Housing: AISI 303 - Sensing area: POM black - Lock nuts: Nickel-plated brass |
| Mounting: | Embeddable |
| Weigth: [g] | 170 |

Electrical connection

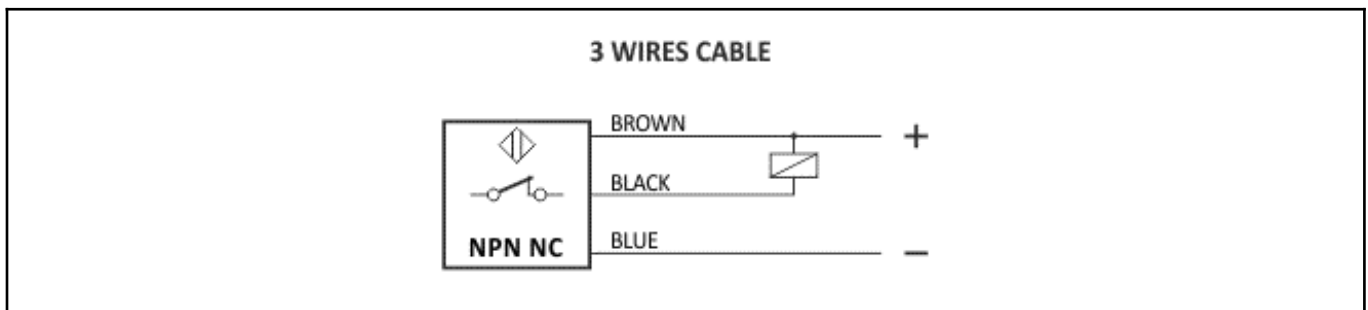
| | |
|--------|--|
| Cable: | 10 m - PUR/TPE-E - 3 x 0.094 mm ² |
|--------|--|

Compliance to Standards / Directives

| | |
|------------------------|---|
| Directives compliance: | 2014/30/EU -Electromagnetic compatibility directive (EMC) |
| Standards compliance: | EN60947-5-2 - Product standard |

2. NORME DI INSTALLAZIONE

WIRING DIAGRAM



INSTRUCTIONS FOR CORRECT INSTALLATION

