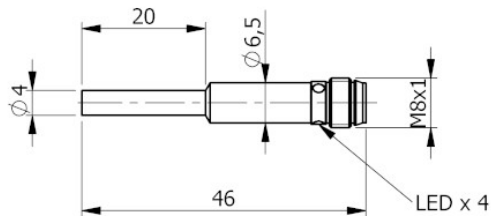


Part number: **I45000004** Model: **SI4-C0.8 NPN NO H1**



Dimension in mm

## 1. TECHNICAL CHARACTERISTICS



| Electrical data              |       |  |
|------------------------------|-------|--|
| Power supply type:           |       | Direct current   |
| Working voltage:             | [V]   | 10 ÷ 30  |
| Current consumption:         | [mA]  | < 10 mA @ 24Vdc  |
| Protection class:            |       | III  |
| Reverse polarity protection: |       | Presente   |
| Outputs                      |       |  |
| Electrical design:           |       | NPN  |
| Function:                    |       | NO   |
| Max voltage drop:            | [V]   | < 1.4  |
| Max output current:          | [mA]  | 100  |
| Max switching frequency:     | [Hz]  | 2000   |
| Short circuit protection:    |       | Present  |
| Overload protection:         |       | Present  |
| Detection zone               |       |  |
| Switching distance-Sn:       | [mm]  | 0.8  |
| Real sensing distance-Sr:    | [mm]  | 0.8 ±10%   |
| Operative distance-So:       | [mm]  | 0 ÷ 0.65   |
| Accuracy and Deviations      |       |  |
| Correction factor:           |       | Stainless steel: 0.9 - Brass: 0.5 - Aluminium: 0.4 - Copper: 0.4 |
| Hysteresis:                  | [%Sr] | < 10   |
| Switching point drift:       | [%Sr] | -1   |
| Repeatability:               | [%Sn] | < 3  |
| Environmental conditions     |       |  |
| Temperature limits:          | [°C]  | -25/+70  |
| IP rating:                   |       | IP65-IP66-IP67 (depending on connector )                         |

**Display and control elements**

Display: Output switching status - 4 x 90° LED: Yellow

**Mechanical data**

|                  |   |
|------------------|---|
| Housing:         | Smooth cylindrical                          |
| Dimensions: [mm] | Ø 4 - L=46                                  |
| Materials:       | Housing: AISI 303 - Sensing area: POM black |
| Mounting:        | Embeddable                                  |
| Weight: [g]      | 20  |

**Electrical connection**

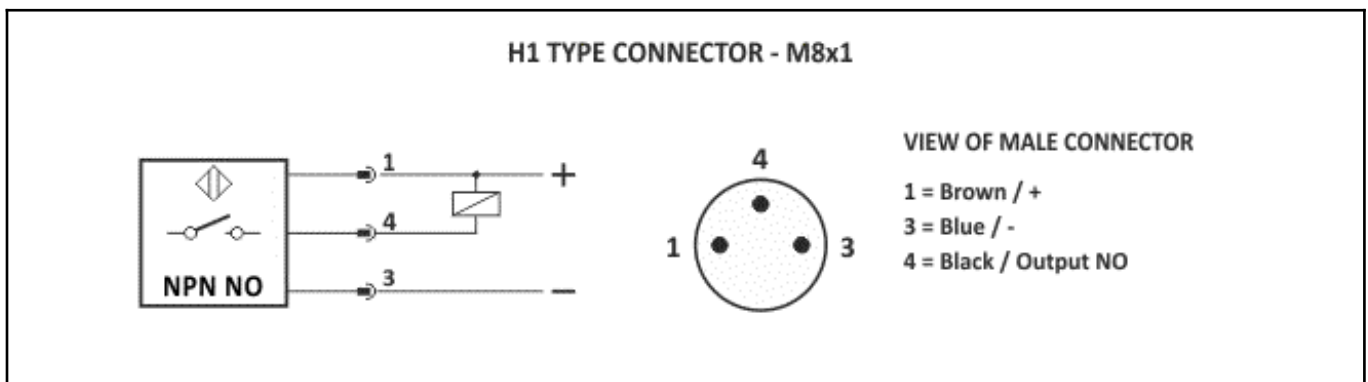
Connector: H1 type - M8X1 - gold plated contacts

**Compliance to Standards / Directives**

|                        |   |
|------------------------|---|
| Directives compliance: | 2014/30/EU -Electromagnetic compatibility directive (EMC) |
| Standards compliance:  | EN60947-5-2 - Product standard                            |

**2. NORME DI INSTALLAZIONE**

**WIRING DIAGRAM**



**INSTRUCTIONS FOR CORRECT INSTALLATION**

