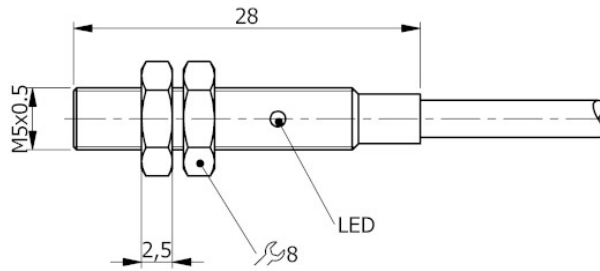


Part number: **I45000079** Model: **SI5-DC1.5 PNP NC**



Dimension in mm

1. TECHNICAL CHARACTERISTICS



Electrical data

Power supply type:		Direct current
Working voltage:	[V]	10 ÷ 30
Current consumption:	[mA]	< 10 mA @ 24Vdc
Protection class:		III
Reverse polarity protection:		Presente

Outputs

Electrical design:		PNP
Function:		NC
Max voltage drop:	[V]	< 1.4
Max output current:	[mA]	100
Max switching frequency:	[Hz]	2000
Short circuit protection:		Present
Overload protection:		Present

Detection zone

Switching distance-Sn:	[mm]	1.5
Real sensing distance-Sr:	[mm]	1.5 ±10%
Operative distance-So:	[mm]	0 ÷ 1.22
Extended sensing distance:		Si

Accuracy and Deviations

Correction factor:		Stainless steel: 0.9 - Brass: 0.5 - Aluminium: 0.4 - Copper: 0.4
Hysteresis:	[%Sr]	< 10
Switching point drift:	[%Sr]	-1
Repeatability:	[%Sn]	< 3

Environmental conditions

Temperature limits:	[°C]	-25/+70
IP rating:		IP65-IP66-IP67

Display and control elements

Display:	Output switching status - 1 x LED: Yellow
----------	---

Mechanical data

Housing:	Threded type
Thread designation:	M5x0.5
Dimensions: [mm]	M5x0.5 - L=28
Materials:	Housing: AISI 303 - Sensing area: POM black - Lock nuts: Nickel-plated brass
Mounting:	Embeddable
Weigth: [g]	40

Electrical connection

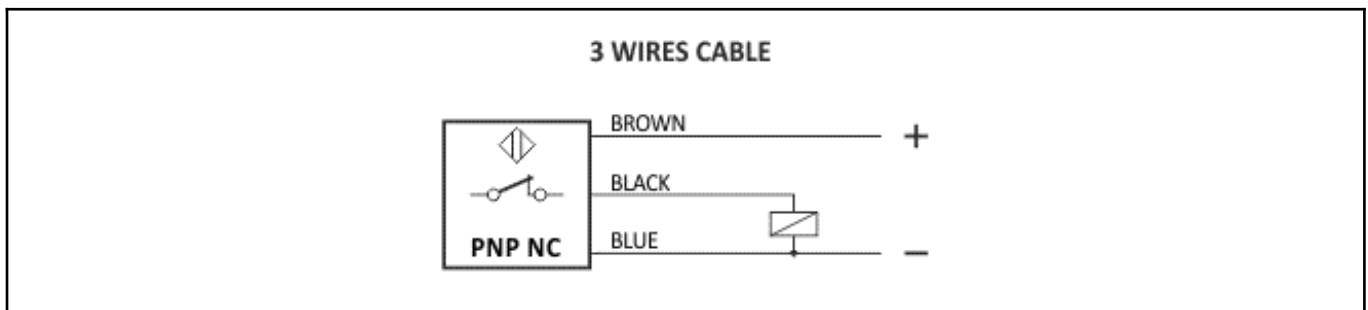
Cable:	2 m - PUR/TPE-E - 3 x 0.094 mm ²
--------	---

Compliance to Standards / Directives

Directives compliance:	2014/30/EU -Electromagnetic compatibility directive (EMC)
Standards compliance:	EN60947-5-2 - Product standard

2. NORME DI INSTALLAZIONE

WIRING DIAGRAM



INSTRUCTIONS FOR CORRECT INSTALLATION

