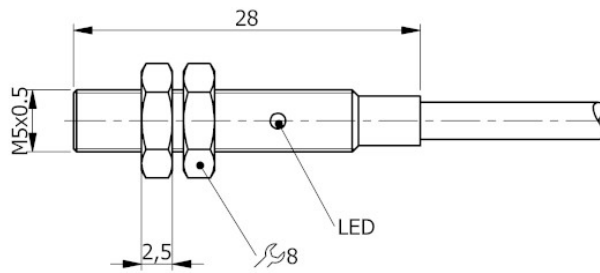


Part number: **I45000095** Model: **SI5-DC1.5 NPN NO LC10**



Dimension in mm

## 1. TECHNICAL CHARACTERISTICS



Electrical data		
Power supply type:		Direct current
Working voltage:	[V]	10 ÷ 30
Current consumption:	[mA]	< 10 mA @ 24Vdc
Protection class:		III
Reverse polarity protection:		Presente
Outputs		
Electrical design:		NPN
Function:		NO
Max voltage drop:	[V]	< 1.4
Max output current:	[mA]	100
Max switching frequency:	[Hz]	2000
Short circuit protection:		Present
Overload protection:		Present
Detection zone		
Switching distance-Sn:	[mm]	1.5
Real sensing distance-Sr:	[mm]	1.5 ±10%
Operative distance-So:	[mm]	0 ÷ 1.22
Extended sensing distance:		Si
Accuracy and Deviations		
Correction factor:		Stainless steel: 0.9 - Brass: 0.5 - Aluminium: 0.4 - Copper: 0.4
Hysteresis:	[%Sr]	< 10
Switching point drift:	[%Sr]	-1
Repeatability:	[%Sn]	< 3
Environmental conditions		
Temperature limits:	[°C]	-25/+70
IP rating:		IP65-IP66-IP67

**Display and control elements**

Display:	Output switching status - 1 x LED: Yellow
----------	---

**Mechanical data**

Housing:	Threded type
Thread designation:	M5x0.5
Dimensions: [mm]	M5x0.5 - L=28
Materials:	Housing: AISI 303 - Sensing area: POM black - Lock nuts: Nickel-plated brass
Mounting:	Embeddable
Weigth: [g]	170

**Electrical connection**

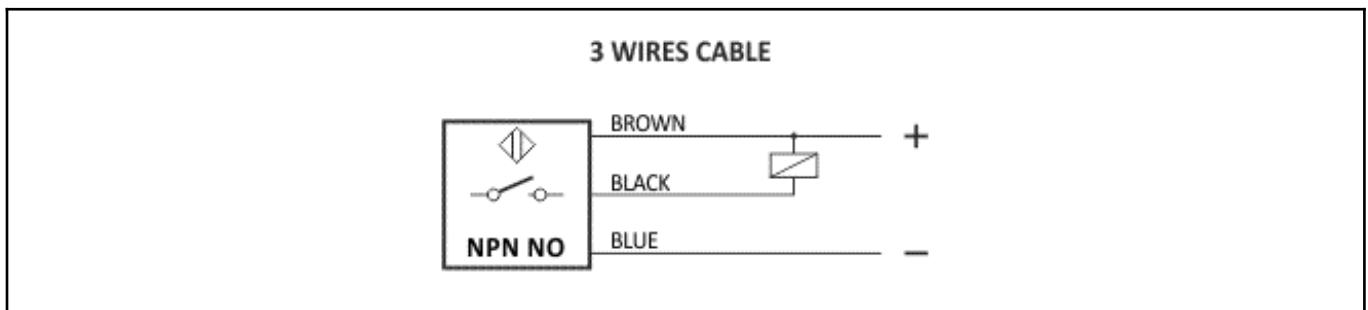
Cable:	10 m - PUR/TPE-E - 3 x 0.094 mm <sup>2</sup>
--------	--

**Compliance to Standards / Directives**

Directives compliance:	2014/30/EU -Electromagnetic compatibility directive (EMC)
Standards compliance:	EN60947-5-2 - Product standard

**2. NORME DI INSTALLAZIONE**

**WIRING DIAGRAM**



**INSTRUCTIONS FOR CORRECT INSTALLATION**

