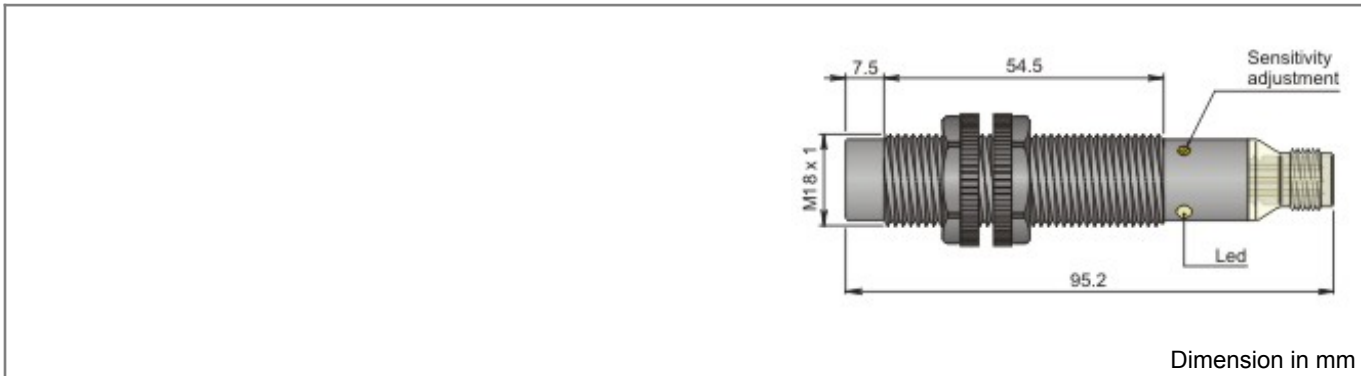




Part number: C18000074 - Model: SC18SP-CE10 PNP NO+NC H



TECHNICAL CHARACTERISTICS

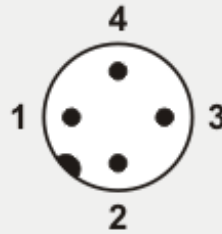
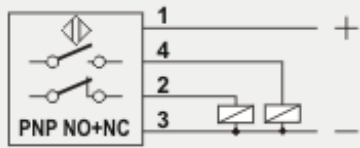
Working voltage:	10 ÷ 40 Vdc
Output type:	DC PNP
Function:	NO+NC
Actuation type:	Instantaneous
Sensing distance (mm):	0 ÷ 10 (adjustable)
Hysteresis (%Sn):	Depends on the switching distance
Max switching frequency:	10 Hz
Repeatability (%Sn):	< 10
Max output current:	200 mA
Absorption:	< = 10 mA @ 24Vdc
Voltage drop:	< 1.8 V
Short circuit protection:	Present
Led indicator:	Present
Shielding:	Not embeddable
Mechanical characteristics:	M18x1
Housing material:	Plastic
Connection type:	H plug
Temperature limits:	-20 ÷ +70 °C
IP rating:	Depending on connector
Weight:	80 g



Part number: C18000074 - Model: SC18SP-CE10 PNP NO+NC H

WIRING DIAGRAM

CONNECTION WITH H PLUG



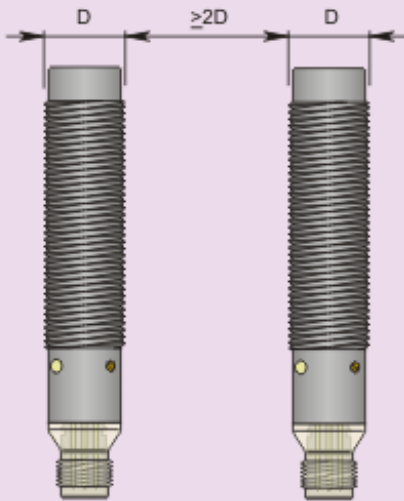
VIEW OF MALE CONNECTOR

- 1 = Brown / +
- 3 = Blue / -
- 4 = Black / output NO
- 2 = White / output NC

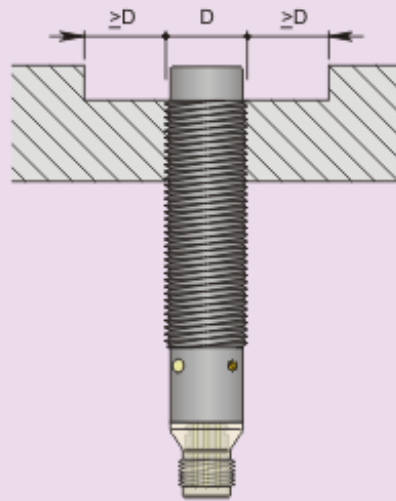
INSTRUCTIONS FOR CORRECT INSTALLATION

INSTRUCTIONS FOR CORRECT INSTALLATION

NOT EMBEDDABLE



Side by side mounting



Non flush mounting