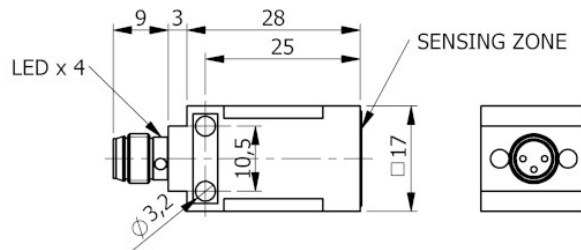


Part number: **SIP000008** Model: **SIP17-CE5 NPN NC H1**



Dimension in mm

1. TECHNICAL CHARACTERISTICS



Electrical data

Power supply type:		Direct current
Working voltage:	[V]	10 ÷ 30
Current consumption:	[mA]	< 15 mA @ 24Vdc
Protection class:		III
Reverse polarity protection:		Presente

Outputs

Electrical design:		NPN
Function:		NC
Max voltage drop:	[V]	< 1.8
Max output current:	[mA]	200
Max switching frequency:	[Hz]	1000
Short circuit protection:		Present
Overload protection:		Present

Detection zone

Switching distance-Sn:	[mm]	5
Real sensing distance-Sr:	[mm]	5 ±10%
Operative distance-So:	[mm]	0 ÷ 4.05

Accuracy and Deviations

Correction factor:		Stainless steel: 0.9 - Brass: 0.5 - Aluminium: 0.4 - Copper: 0.4
Hysteresis:	[%Sr]	< 10
Switching point drift:	[%Sr]	-1
Repeatability:	[%Sn]	< 3

Environmental conditions

Temperature limits:	[°C]	-25/+70
IP rating:		IP65-IP66-IP67 (depending on connector)

Display and control elements

Display: Output switching status - 4 x 90° LED: Yellow

Mechanical data

Housing:	Parallelepiped
Dimensions: [mm]	17 x 31 x 17
Materials:	Housing: PVC red - Sensing area: PC red
Mounting:	Not embeddable
Weight: [g]	25

Electrical connection

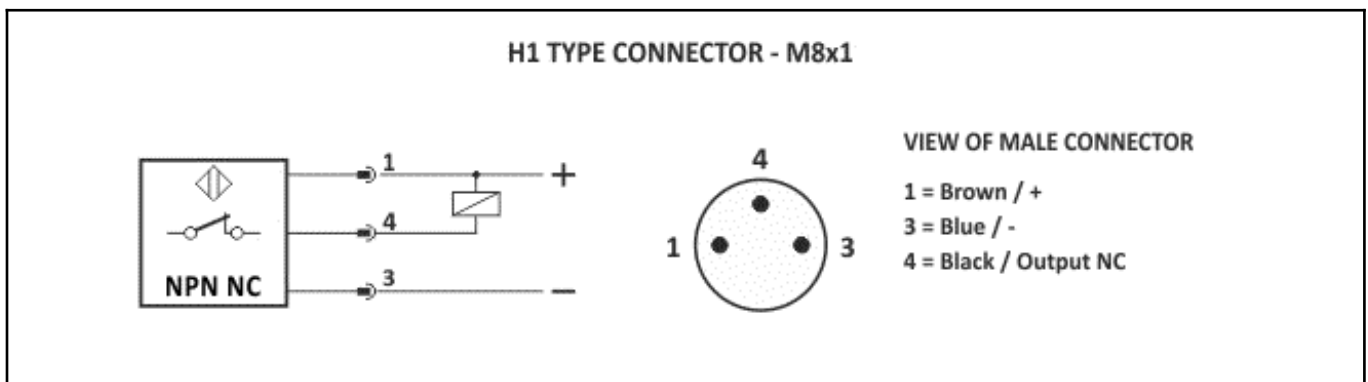
Connector: H1 type - M8X1 - gold plated contacts

Compliance to Standards / Directives

Directives compliance:	2014/30/EU -Electromagnetic compatibility directive (EMC)
Standards compliance:	EN60947-5-2 - Product standard

2. NORME DI INSTALLAZIONE

WIRING DIAGRAM



INSTRUCTIONS FOR CORRECT INSTALLATION

